



TRAYMATE

BY
TROJAN



Luxury Showering

TROJAN-BATHS.CO.UK



Welcome to Traymate by Trojan

I hope that this new brochure can provide the necessary inspiration for your next shower tray in the knowledge that the superior quality of the products reflects the unwavering commitment we have made to our shower tray factory since it was relocated to Huddersfield in May 2023.

From our humble beginnings in 1975, to becoming one of the world's leading manufacturers of acrylic baths, our 50-year journey has been characterised by continuous investment and innovation. We are now applying this same proven approach to nurture and develop our shower tray division.

Our products are thoughtfully designed to meet market trends whilst upholding our environmental responsibilities. As we aim to establish our position in the competitive global market, we invite you to join us in reimagining the art of showering through our precisely engineered, premium trays.

At Trojan, we go beyond simply delivering the product. We are renowned for delivering more: more products, more quality, more value, more knowledge, and more support.

Read on to experience more with Trojan.

David

Managing Director



Contents - Our full range of trays

LINEAR

PAGE 6



SYMMETRY

PAGE 12



ELEMENTARY

PAGE 18



SLATE EFFECT

PAGE 24



ANTI-SLIP TECHNOLOGY - Elementary & Symmetry

PAGE 30



LEG SETS

PAGE 34



LINE DRAWINGS

PAGE 38

The images and dimensions shown in this brochure are intended as a guide and are not binding in detail.



About our shower trays



Linear

Recommended Users: All family types.

Range Features: Ultra-modern tray with flush fitting Linear waste cover. 34 sizes. 28mm high, 100% natural stone resin. Fit as a standard floor-mounted shower tray to create a virtually flat bathroom floor.

(Waste unit and cover sold separately).



Symmetry

Recommended users: All family types. Anti-Slip option available.

Range Features: Ultra-modern flush fitting central square waste cover. 38 sizes (13 sizes anti-slip). 28mm high, 100% natural stone resin. Fit as a standard floor-mounted shower tray to create a virtually flat bathroom floor.

(Waste unit and cover sold separately).



Elementary

Recommended Users: All family types. Anti-Slip option available.

Range Features: Low-profile shower tray compatible with a traditional waste. 37 sizes (29 sizes anti-slip). 28mm high, 100% natural stone resin. Fit as a standard floor-mounted or traditional riser tray.

(Waste unit and cover sold separately).



Slate

Recommended users: All family types.

Range Features: Realistic slate pattern with flush fitting square waste cover. 26 sizes. 28mm high, 100% natural stone resin. Fit as a standard floor-mounted shower tray to create a virtually flat surface.

(Waste unit and cover sold separately).

Features & Benefits	Linear	Symmetry	Slate	Elementary
Smart Water Management Technology	✓	✓	✓	
Recommended for general family use	✓	✓	✓	✓
Recommended for elderly users	✓	✓	✓	✓
Recommended for less able users/Wheelchair access	✓	✓	✓	
Contemporary wetroom style, fitted as a shower tray. No tanking or waterproofing required	✓	✓	✓	
Flush fitting stainless steel waste cover	✓	✓	✓	
Virtually flat surface technology	✓	✓	✓	
Zero step access - simple flush to floor fitting option	✓	✓	✓	
High grip Anti-Slip surface option		✓		✓
Simply fitted as a normal shower tray	✓	✓	✓	✓
Can be fitted on all floor types	✓	✓	✓	✓
Drains at approximately 30 litres per minute	✓	✓	✓	✓
10 year guarantee	✓	✓	✓	✓
100% natural stone resin - fully recyclable	✓	✓	✓	✓
Tough repairable gel coat surface	✓	✓	✓	✓
360° waste outlet option (Joist location permitting)		✓	✓	✓
Recommended for on or off the floor fitting. Simple leg set option			✓	✓
Complies with EU274 standard for shower flow rates	✓	✓	✓	✓
Designed and manufactured by hand in the UK	✓	✓	✓	✓





TRAYMATE

Linear Trays

If you prefer the classic look of a wetroom with a Linear outlet, this is the range for you. The Linear range has been designed for a broad range of users. Its flush to floor entry, flat surface and flush fitting waste cover combine to minimise hazardous trip areas for young children and those a little less stable on their feet.

Features & Benefits

Recommended for
Modern bathrooms, multigenerational living, and less mobile

Made from
100% natural stone resin

All materials are
fully recyclable

Available in
34 different sizes

Can be fitted on
all types of flooring

Comes with a
10 year guarantee



For full dimensions and specifications on the Linear range, visit:
<https://trojan-baths.co.uk/products/traymate/linear/>





The Linear is a breakthrough in shower tray design, offering the smart modern look of a wetroom for all the family but without the associated costs and fitting challenges. It is simply fitted as a shower tray, no tanking or waterproofing is required.

The Linear incorporates our ground breaking **Smart Water Management Technology**. The interaction between the surface design and vortex waste unit clears water and soapy deposits almost instantly, up to 30 litres of water per minute. This prevents puddling and substantially removes the chance of slipping. Also, no moving parts or 'hair traps' in the waste unit, means no maintenance and no risk of flooding. It also allows the tray to appear almost flat when fitted flush to the floor giving that all important wetroom look. The waste cover has also been designed to be fully load bearing which combined with smart technology gives easy access for wheelchair users.

Everything has been considered, even the waste cover has been designed to minimise the possibility of damaging 'tiny toes'.

• **Smart Water Management Technology**

- Ultra desirable Linear waste wetroom look
- Ultra-low profile 28mm high with simple flush to floor fitting option
- Fitted as normal shower tray – no tanking or water proofing required
- Unique rectangular 75mm x 297mm stainless steel flush fitting waste cover (fully load-bearing)
- Step free access – no hazardous trip areas for young children and older people
- Smart virtual flat surface technology achieving a wetroom look
- Fully complies with EN274 European standard for shower flow rates
- Tough repairable gel coat surface
- Suitable for wheelchair access
- Designed and made in the UK



Linear tray sizes

Square 28mm High - Linear Stone Resin Shower Tray & Waste/Cover (sold separately)



Size	Product Code
900 x 900	G0075
1000 x 1000	G0078

Linear cover options

All our trays come with cover colour options



Brass Black Steel White

Also available in polished chrome effect

Quadrant 28mm High - Linear Stone Resin Shower Tray & Waste/Cover (sold separately)



Size	Product Code
800 x 800 Q	G0073
900 x 900 Q	G0074
1000 x 1000 Q	G0077

Rectangular 28mm High - Linear Stone Resin Shower Tray & Waste/Cover (sold separately)



Size	Product Code
900 x 800	G0076
1000 x 760	G0079
1000 x 800	G0080
1000 x 900	G0083
1100 x 760	G0084
1100 x 800	G0085
1100 x 900	G0086
1200 x 700	G0087
1200 x 760	G0088
1200 x 800	G0089
1200 x 900	G0092
1400 x 760	G0095
1400 x 800	G0096
1400 x 900	G0097
1500 x 760	G0098
1500 x 800	G0099
1500 x 900	G0100
1600 x 760	G0101
1600 x 800	G0102
1600 x 900	G0103
1700 x 700	G0104
1700 x 760	G0105
1700 x 800	G0106
1700 x 900	G0107
1800 x 800	G0108
1800 x 900	G0109

Offset Quadrant 28mm High - Linear Stone Resin Shower Tray & Waste/Cover (sold separately)

Size	Product Code
1000 x 800 Q RH	G0082
1200 x 800 Q RH	G0091
1200 x 900 Q RH	G0094

Size	Product Code
1000 x 800 Q LH	G0081
1200 x 800 Q LH	G0090
1200 x 900 Q LH	G0093



Right Hand (RH)



Left Hand (LH)



TRAYMATE

Symmetry trays

If you prefer the timeless look of a wetroom with a central outlet, look no further than the Symmetry range. The Symmetry has been designed for a broad range of users. Its flush to floor entry, flat surface and flush fitting waste cover combine to minimise hazardous trip areas for young children and older people.

Features & Benefits

Recommended for
Modern bathrooms, multigenerational living, and less mobile

Made from
100% natural stone resin

All materials are
fully recyclable

Can be fitted on
all types of flooring

Comes with a
10 year guarantee (plain base)
5 year guarantee (anti slip)

Available in market leading anti-slip option
available in 29 sizes

Available in
38 different sizes



For full dimensions and specifications on the Symmetry range, visit:
<https://trojan-baths.co.uk/products/shower-trays/traymate-shower-trays/symmetry/>





The Symmetry is a breakthrough in shower tray design offering the smart modern look of a wetroom for all the family but without the associated costs and fitting challenges. It is simply fitted as a shower tray, no tanking or waterproofing is required.

The Symmetry incorporates our ground breaking Smart Water Management Technology. Here the interaction between the surface design and vortex waste unit clears water and soapy deposits almost instantly through the waste outlet at over 30 litres per minute. This prevents puddling and substantially removes the chance of slipping. Also, no moving parts or hair traps in the waste unit means no maintenance and no risk of flooding. It also allows the tray to appear almost flat when fitted flush to the floor giving that all important wetroom look.

The waste cover has also been designed to be fully load bearing which combined with smart surface technology gives easy access to wheelchair users. Everything is considered, even the waste cover has been designed to minimise the possibility of damaging 'tiny toes'.

Finally, if you choose our optional anti-slip surface, you can be sure of a lifetime of underfoot confidence when you shower. Every aspect of the Symmetry design benefits from the smart technology that allows it to function as well as it looks.

• **Smart Water Management Technology**

- Ultra desirable centre waste wetroom look
- Ultra-low profile 28mm high with simple flush to floor fitting option
- Fitted as normal shower tray – no tanking or water proofing required
- Unique square 135mm x 135mm stainless steel flush fitting waste cover (fully load-bearing)
- Water removal tested to over 30 litres per minute
- Step free access – no hazardous trip areas for young children and older people
- Smart virtual flat surface technology for maximised water drainage and that wetroom look
- Fully complies with EN274 European standard for shower flow rates
- Tough repairable gel coat surface
- Suitable for wheelchair access
- Designed and made in the UK



Symmetry tray sizes

Square 28mm High - Symmetry Stone Resin Shower Tray & Waste (sold separately)



Size	Product Code
700 x 700	G0186
760 x 760	G0187
800 x 800	G0189
900 x 900	G0193
1000 x 1000	G0195

Symmetry cover options

All our trays come with cover colour options



Brass Black Steel White

Also available in polished chrome effect

Quadrant 28mm High - Symmetry Stone Resin Shower Tray & Waste/Cover (sold separately)



Size	Product Code
800 x 800 Q	G0188
900 x 900 Q	G0190
1000 x 1000 Q	G0194

Rectangular 28mm High - Symmetry Stone Resin Shower Tray & Waste/Cover (sold separately)



Size	Product Code
900 x 760	G0191
900 x 800	G0192
1000 x 760	G0196
1000 x 800	G0197
1000 x 900	G0200
1100 x 800	G0201
1100 x 900	G0204
1200 x 700	G0205
1200 x 760	G0206
1200 x 800	G0207
1200 x 900	G0210
1400 x 760	G0213
1400 x 800	G0214
1400 x 900	G0215
1500 x 760	G0216
1500 x 800	G0217
1500 x 900	G0218
1600 x 760	G0219
1600 x 800	G0220
1600 x 900	G0221
1700 x 700	G0222
1700 x 760	G0223
1700 x 800	G0224
1700 x 900	G0225
1800 x 800	G0226
1800 x 900	G0227

Offset Quadrant 28mm High - Symmetry Stone Resin Shower Tray & Waste/Cover (sold separately)

Size	Product Code
1000 x 800 Q RH	G0199
1100 x 800 Q RH	G0203
1200 x 800 Q RH	G0209
1200 x 900 Q RH	G0212

Size	Product Code
1000 x 800 Q LH	G0198
1100 x 800 Q LH	G0202
1200 x 800 Q LH	G0208
1200 x 900 Q LH	G0211



Right Hand (RH)



Left Hand (LH)



TRAYMATE

Elementary trays

If you are looking for a modern, ultra-low-profile shower tray that will continue to look great for years to come, but feel you don't need flush-to-the-floor fitting or that contemporary wetroom look, this is the range for you. Stylish, hard wearing and easy to install, the Elementary is ideal for families of all ages.

Features & Benefits

Recommended for
the whole family

Made from
100% natural stone resin

All materials are
fully recyclable

Available in
37 different sizes
Market leading Anti-Slip option available in 29 sizes

Can be fitted on
all types of flooring or off the floor with simple leg set option

Comes with a
10 year guarantee (plain base)
5 year guarantee (anti slip)



For full dimensions and specifications on the Elementary range, visit:
<https://trojan-baths.co.uk/products/shower-trays/traymate-shower-trays/elementary/>





The Elementary leads the way in the traditional shower tray market. Look closer and you'll see the unique and ultra-modern adjustable square waste cover and the unique vortex waste unit which removes water from the tray at over 28 litres per minute, faster than any comparable tray in its class.

Want to fit the Elementary off of the floor? Simply use the unique and innovative optional leg set. What's more, our commitment to innovation extends to the optional anti-slip surface of the tray (Also available in the Symmetry range).

- Stylish, contemporary design which will look good for years
- Ultra-low profile 28mm high. Typical installation 10-15mm entry step
- Elderly users advised to use anti-slip option
- Dedicated high flow waste unit (purchased separately)
- Unique, ultra-modern adjustable square waste cover (purchased separately with the waste unit)
- Tough repairable gel coat surface
- Fully complies with EN274 European standard for shower flow rates
- Water removal tested to 28 litres per minute
- Designed and made in UK



Elementary tray sizes

Square 28mm High - Elementary Stone Resin Shower Tray & Waste (Purchase Separately)



Size	Product Code
700 x 700	G0001
760 x 760	G0002
800 x 800	G0003
900 x 900	G0006
1000 x 1000	G0010

Elementary cover options

All our trays come with cover colour options



Black Chrome White

Quadrant 28mm High - Elementary Stone Resin Shower Tray & Waste (Purchase Separately)



Size	Product Code
800 x 800 Q	G0004
900 x 900 Q	G0005
1000 x 1000 Q	G0009

Rectangular 28mm High - Elementary Stone Resin Shower Tray & Waste (Purchase Separately)



Size	Product Code
900 x 760	G0007
900 x 800	G0008
1000 x 760	G0011
1000 x 800	G0012
1000 x 900	G0013
1100 x 800	G0014
1100 x 900	G0017
1200 x 700	G0018
1200 x 760	G0019
1200 x 800	G0020
1200 x 900	G0023
1300 x 760	G0026
1300 x 800	G0027
1300 x 900	G0028
1400 x 760	G0029
1400 x 800	G0030
1400 x 900	G0031
1500 x 760	G0032
1500 x 800	G0033
1500 x 900	G0034
1600 x 800	G0035
1600 x 900	G0036
1700 x 700	G0037
1700 x 760	G0038
1700 x 800	G0039
1700 x 900	G0040

Offset Quadrant 28mm High - Elementary Stone Resin Shower Tray & Waste (Purchase Separately)

Size	Product Code
1100 x 800 Q RH	G0016
1200 x 800 Q RH	G0022
1200 x 900 Q RH	G0025

Size	Product Code
1100 x 800 Q LH	G0015
1200 x 800 Q LH	G0021
1200 x 900 Q LH	G0024



Right Hand (RH)



Left Hand (LH)



TRAYMATE

Slate effect trays

Create an authentic slate finish in your bathroom with our beautiful and realistic Slate Effect trays. Our Slate Effect tray range offers the ultimate in performance, strength and durability in a range of complementary colours.

Bring the timeless beauty of natural slate into your bathroom with our revolutionary Slate effect trays. Crafted using ground breaking technology to recreate an exceptionally realistic slate finish, these trays offer the authentic look and texture of slate while delivering superior modern functionality.

Features & Benefits

Recommended for **modern bathrooms, multigenerational living, less mobile, elderly, less abled and young children**

Made from **100% natural stone resin**

All materials are **fully recyclable**

Available in **26 different sizes**

Can be fitted on **all types of flooring**

Comes with a **10 year guarantee**



For full dimensions and specifications on the Slate Effect range, visit:
<https://trojan-baths.co.uk/products/traymate/slate-effect/>





Our Slate effect trays are perfect for both modern and traditional bathrooms, this collection marries the raw beauty of natural stone with cutting-edge engineering.

Experience the beauty of natural slate with our innovative and ground-breaking shower tray collection. The authentically textured surface is designed from slate that originated in Penrhyn Quarry in Wales – considered to be the largest, and most famous, slate quarry in the world. As with the Symmetry range the waste cover is both flush-fitting and load-bearing completing the luxurious look of slate while offering modern functionality. Featuring an ultra-slim profile, these trays can be fitted flush to your floor or elevated with stylish panels. Each tray's unique finish adds natural elegance to any bathroom design, making it the perfect blend of beauty and engineering excellence.

- Ultra desirable centre waste wetroom look
- Ultra-low profile 28mm high with simple flush to floor fitting option
- Fitted as normal shower tray – no tanking or water proofing required
- Unique square 135mm x 135mm stainless steel flush fitting waste cover (fully load-bearing)
- Water removal tested to over 28 litres per minute
- Step free access – no hazardous trip areas for young children and older people
- Smart virtual flat surface technology for maximised water drainage and that wetroom look
- Fully complies with EN274 European standard for shower flow rates
- Tough repairable gel coat surface
- Suitable for wheelchair access
- Designed by nature and made in the UK



Slate effect tray sizes

Square 28mm High - Slate Stone Resin Shower Tray & Waste (Purchase Separately)



Size	Black	Grey	White
800 x 800	G0126	G0127	G0128
900 x 900	G0132	G0133	G0134

Slate cover options
All our trays come with cover colour options

Brass Black Grey White

Also available in polished chrome effect

Quadrant 28mm High - Slate Stone Resin Shower Tray & Waste (Purchase Separately)



Size	Black	Grey	White
800 x 800	G0123	G0124	G0125
900 x 900	G0129	G0130	G0131

Rectangular 28mm High - Slate Stone Resin Shower Tray & Waste (Purchase Separately)



Size	Black	Grey	White
1000 x 700	G0842	G0843	G0844
1000 x 800	G0135	G0136	G0137
1000 x 900	G0845	G0846	G0847
1100x 700	G0848	G0849	G0850
1100 x 800	G0851	G0852	G0853
1100 x 900	G0854	G0855	G0856
1200 x 700	G0138	G0139	G0140
1200 x 800	G0141	G0142	G0143
1200 x 900	G0144	G0145	G0152
1400 x 700	G0153	G0154	G0155
1400 x 800	G0156	G0157	G0158
1400 x 900	G0159	G0160	G0161
1500 x 700	G0857	G0858	G0859
1500 x 800	G0162	G0163	G0164
1500 x 900	G0165	G0166	G0167
1600 x 700	G0168	G0169	G0170
1600 x 800	G0171	G0172	G0173
1600 x 900	G0174	G0175	G0176
1700 x 700	G0177	G0178	G0179
1700 x 800	G0180	G0181	G0182
1700 x 900	G0183	G0184	G0185

Quadrant 28mm High - Slate Stone Resin Shower Tray & Waste (Purchase Separately)



Size	Black	Grey	White
1200 x 900 LH	G0146	G0147	G0148
1200 x 900 RH	G0149	G0150	G0151

3 Colour choices

All slate effect trays are available in black, white and grey.





Anti-Slip Technology

Clever Anti-Slip surface technology for a lifetime of showering confidence. Ideally suited to families with young children and those who just want to feel confident on their feet while in the shower, this unique patented technology ensures a lifetime of underfoot confidence when showering.

Unlike other Anti-Slip technologies which are applied on top of the surface of the tray after manufacture and wear away over time, our patented Anti-Slip surface is integrated directly into the shower tray at time of manufacture, meaning it never wears away and will last as long as the shower tray. What's more, because it's actually part of the tray's surface, cleaning it is as simple as cleaning the shower tray.

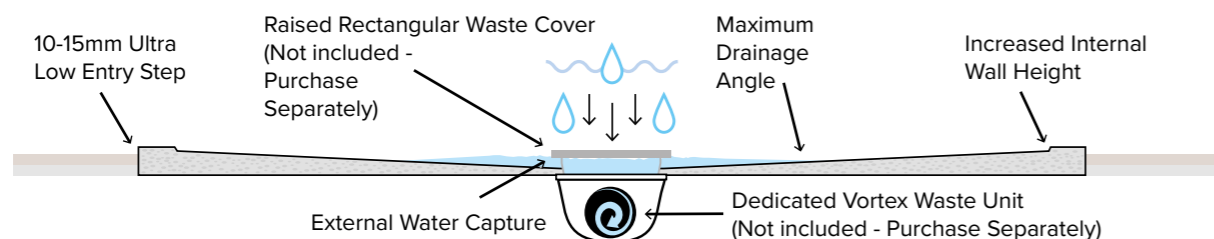
The Anti-Slip range offers a permanent guaranteed solution. When independently tested to the British standard 7976-2 slip test, the patent protected surface provided almost twice the bathroom industry standard of slip resistance.

The AntiSlip option is available on selected sizes of the Elementary and Symmetry shower trays.

Features & benefits

- Incorporates Smart Water Management Technology (Symmetry range only)
- Patent protected unique surface built into surface of tray
- Market leading Anti-Slip rating – almost twice the industry standard
- No need to repair or replace surface later
- Suitable for all domestic applications, hotels and commercial contracts
- Hand made in the UK
- Suitable for the whole family
- Comfortable under foot
- Easy to clean surface

28mm High - Elementary Anti-Slip Stone Resin Shower Tray & Waste (Purchase Separately)



Elementary

Anti-Slip Sizes Available

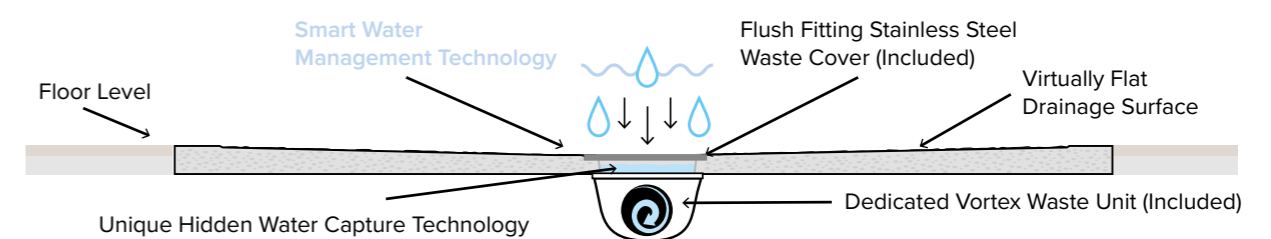
	Size	Product Code
SQUARE	760 x 760	G0042
	800 x 800	G0044
	900 x 900	G0046
	1000 x 1000	G0050
RECTANGLE	900 x 760	G0047
	900 x 800	G0048
	1000 x 800	G0051
	1000 x 900	G0052
	1100 x 800	G0053
	1100 x 900	G0056
	1200 x 700	G0057
	1200 x 760	G0058
	1200 x 800	G0059
	1200 x 900	G0062
	1400 x 800	G0065
	1400 x 900	G0066
	1500 x 800	G0067
	1600 x 800	G0068
	1600 x 900	G0069
	1700 x 700	G0070
	1700 x 800	G0071
	1700 x 900	G0072
	QUADRANT	800 x 800 Q
900 x 900 Q		G0045
1000 x 1000 Q		G0049
1100 x 800 - LH		G0054
1200 x 800 - LH		G0060
1200 x 900 - LH		G0063
1100 x 800 - RH		G0055
1200 x 800 - RH		G0061
1200 x 900 - RH		G0064

Symmetry

Anti-Slip Sizes Available

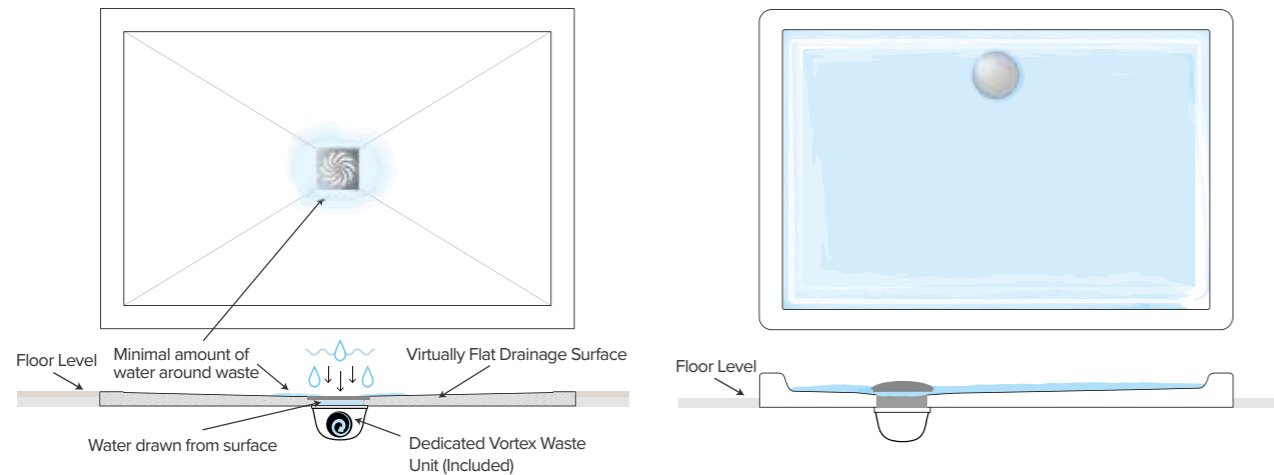
	Size	Product Code
SQ	900 x 900	G0112
RECTANGLE	1000 x 800	G0113
	1200 x 800	G0114
	1200 x 900	G0115
	1400 x 800	G0116
	1400 x 900	G0117
	1500 x 800	G0118
	1600 x 800	G0119
	1600 x 900	G0120
	1700 x 800	G0121
1700 x 900	G0122	
QD	900 x 900 Q	G0111

28mm High - Symmetry Anti-Slip Stone Resin Shower Tray & Waste (Included)





Smart Water Management Control



Until now shower trays have essentially been a vessel for collecting water during showering, until it finally drains away.

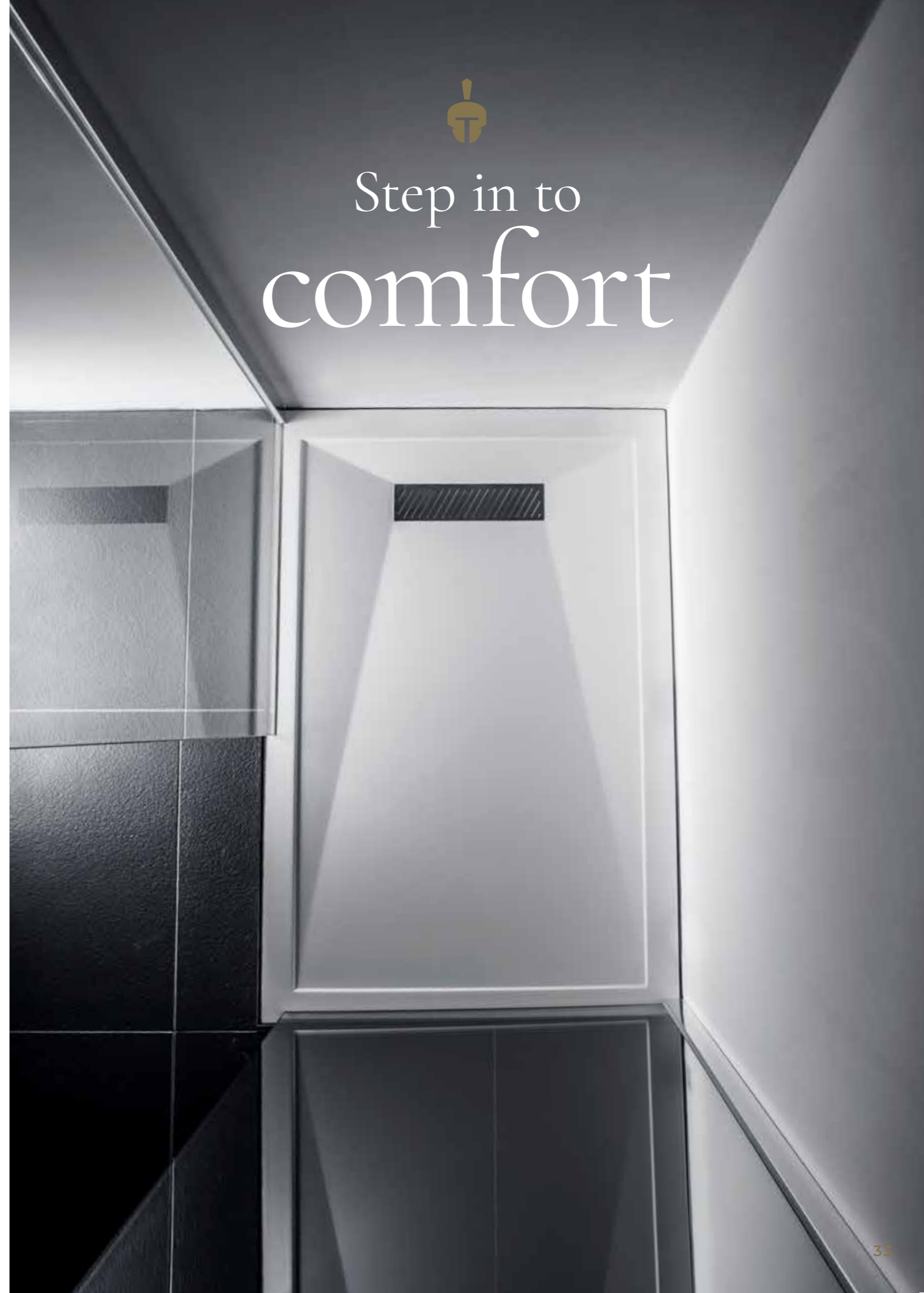
Our unique **Smart Water Management Technology** clears water instantly from the tray's surface. This greatly reduces the slip hazard of surplus water and soap deposits. Although the tray's surface appears almost flat, it combines perfectly with the vortex technology of the waste unit to create a vacuum effect beneath the waste cover.

The result is that almost all surplus water is actually drawn from the tray's surface instantly. In addition, no moving parts or hair traps means no maintenance and no risk of flooding. The **Smart Water Management Technology** is available on the Linear and Symmetry ranges.

To watch **Smart Water Management Technology** in action, visit: www.tmuk.net/smart_water_technology



Step in to comfort





The Simplest Solution

Just fix the legs into position, level and lay the tray on top.

Adjusted in seconds, the legs combine together to create the flexibility to raise the tray from 90mm to 172mm from the floor surface allowing full access to the waste trap below.

Finished off with a high quality ABS acrylic capped fascia trim panel(s). This kit is simple, yet engineered to last a lifetime.

Each leg is capable of withstanding loads of over 400KG.

The Leg Set Advance kits are only available for the Elementary and Elementary Anti-Slip ranges.

Available in a range of options

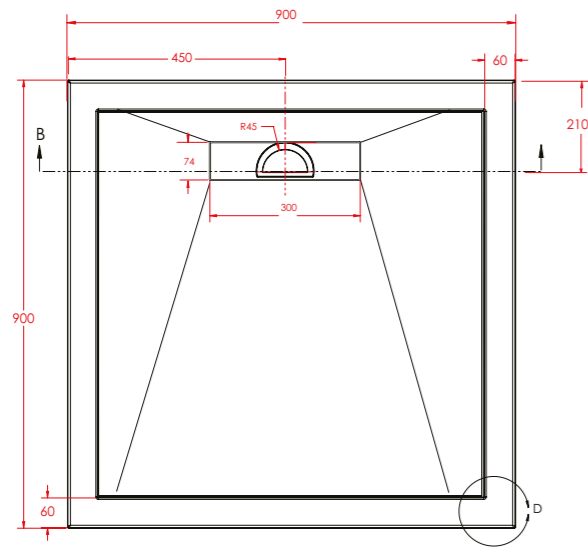
VISIT: <https://tmuk.net/products/tm25-fit-kit-leg-set-advance/> to see the correct fitting and leg placement.

KIT INCLUDES: Adjustable legs, acrylic fascia panel(s) and floor mounted fixing clips.

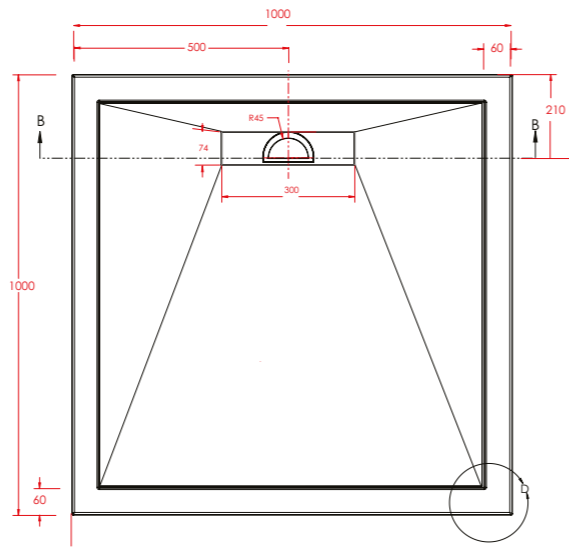
Product Code	Kit	Fascia Panel
G9075	Leg pack kit A	760x760 - 900x900 Sq.
G9056	Leg pack kit B	1000 - 1200 Rectangular
G9057	Leg pack kit C	1400 - 1700 Rectangular
G9085	Leg pack kit D	800 - 1000 Quadrant
G9077	Leg pack kit E	1000 - 1200 off set Quad.



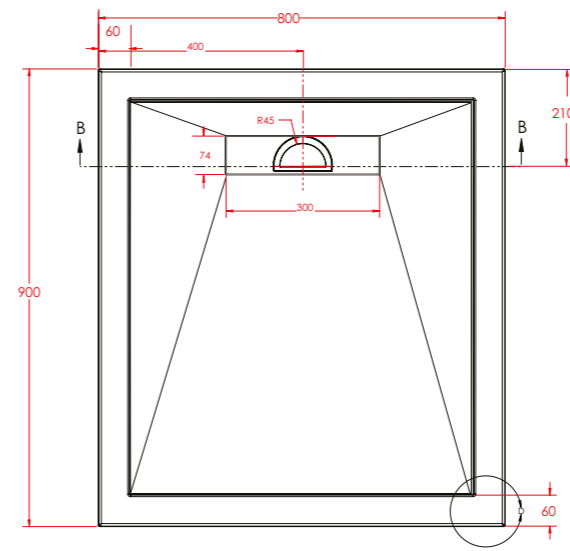




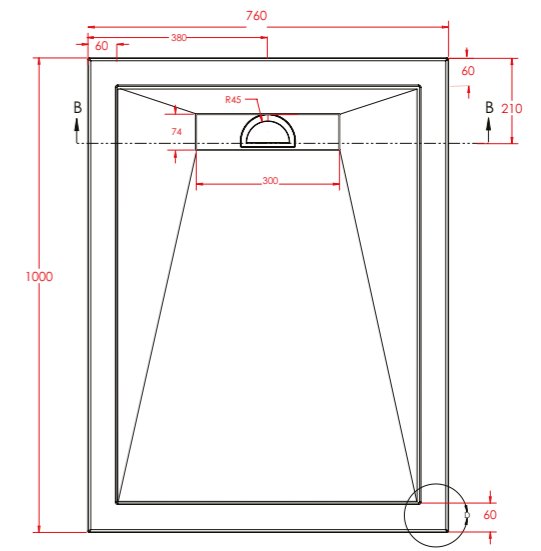
900x900 LINEAR



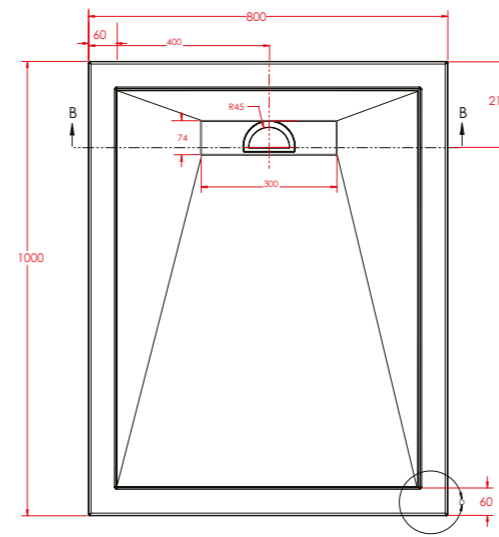
1000x1000 LINEAR



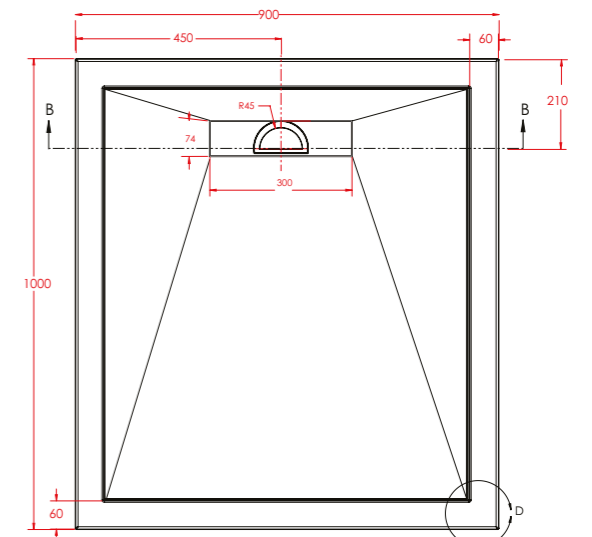
900x800 LINEAR



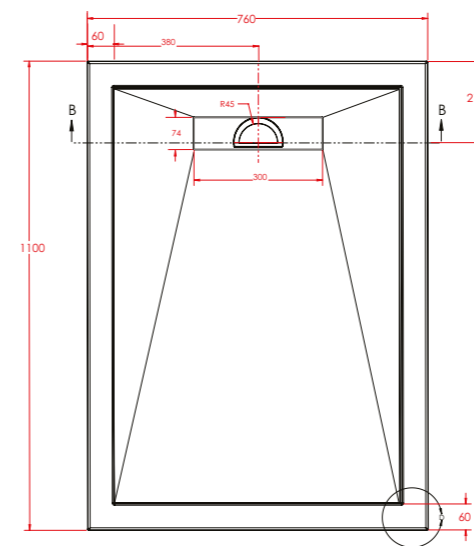
1000x760 LINEAR



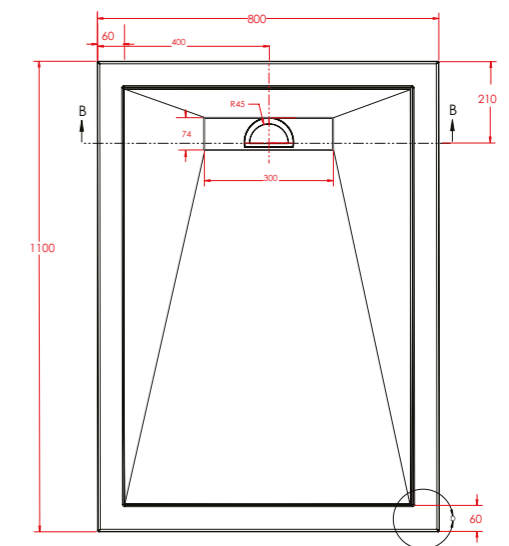
1000x800 LINEAR



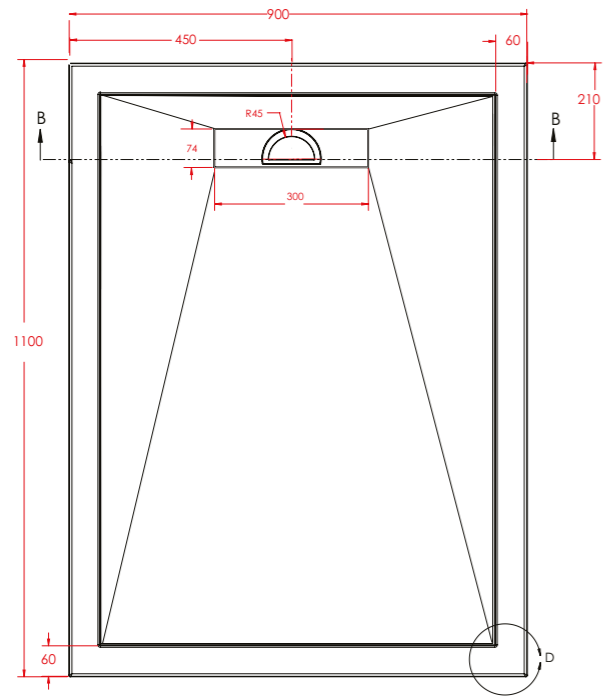
1000x900 LINEAR



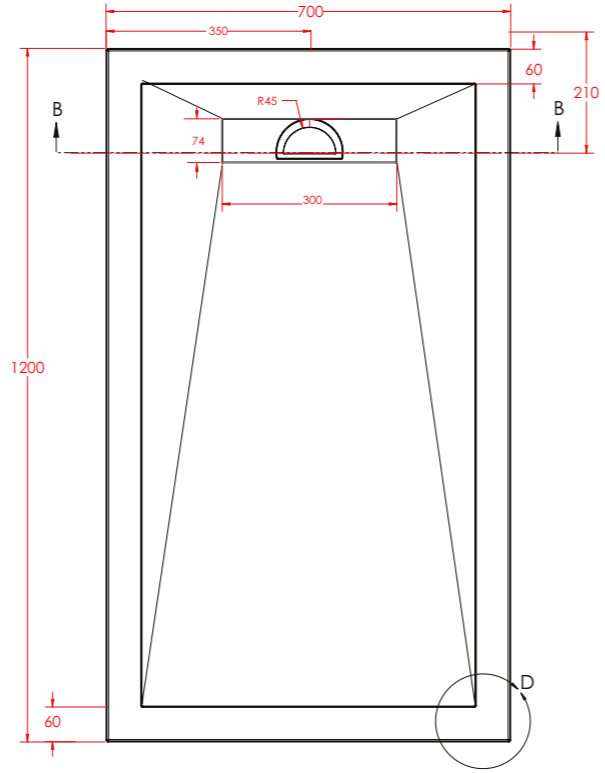
1100x760 LINEAR



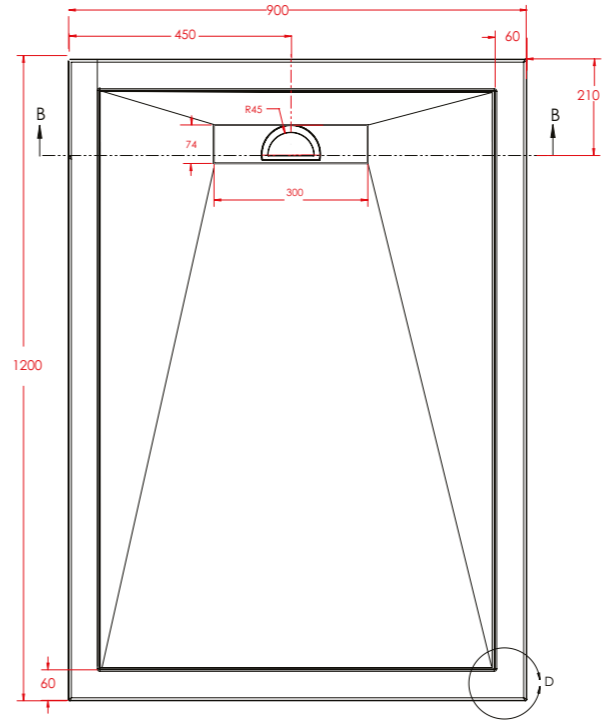
1100x800 LINEAR



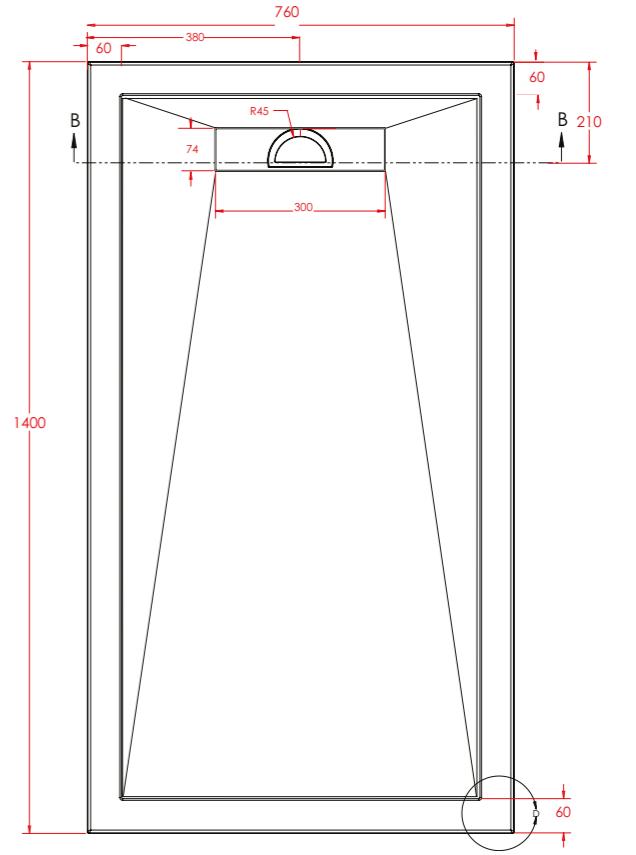
1100x900 LINEAR



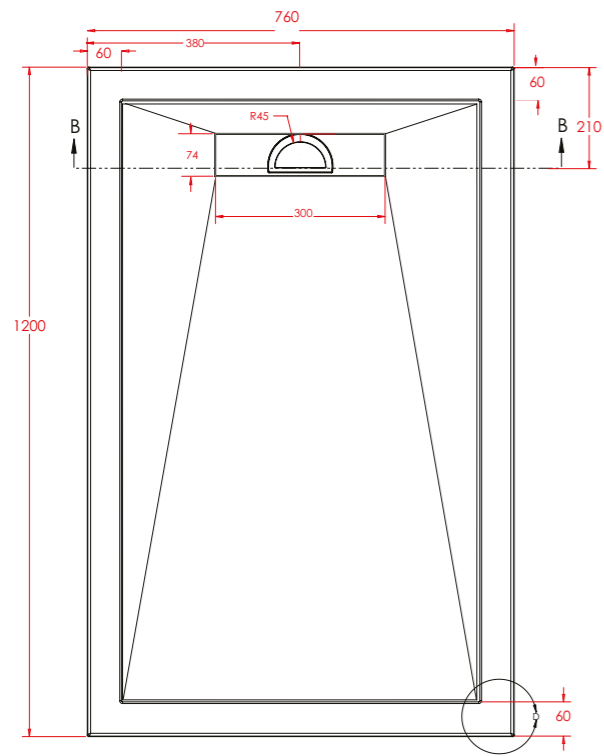
1200x700 LINEAR



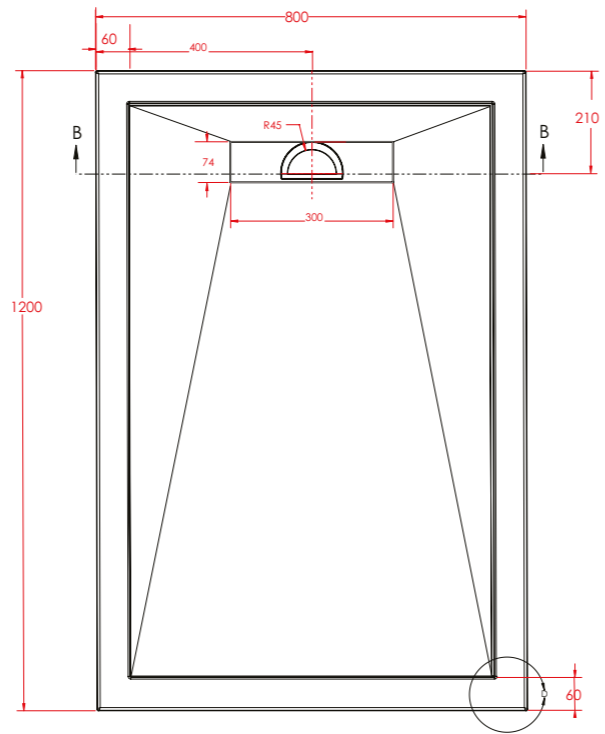
1200x900 LINEAR



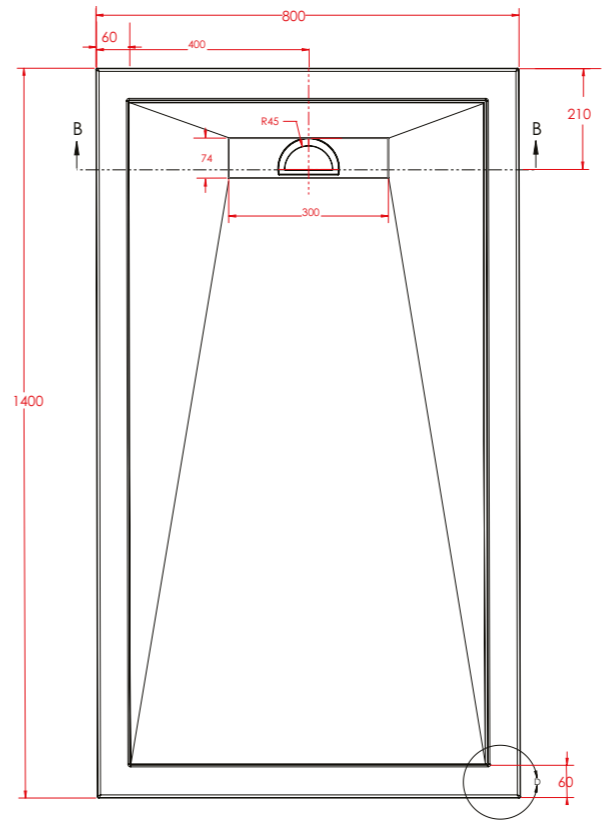
1400x760 LINEAR



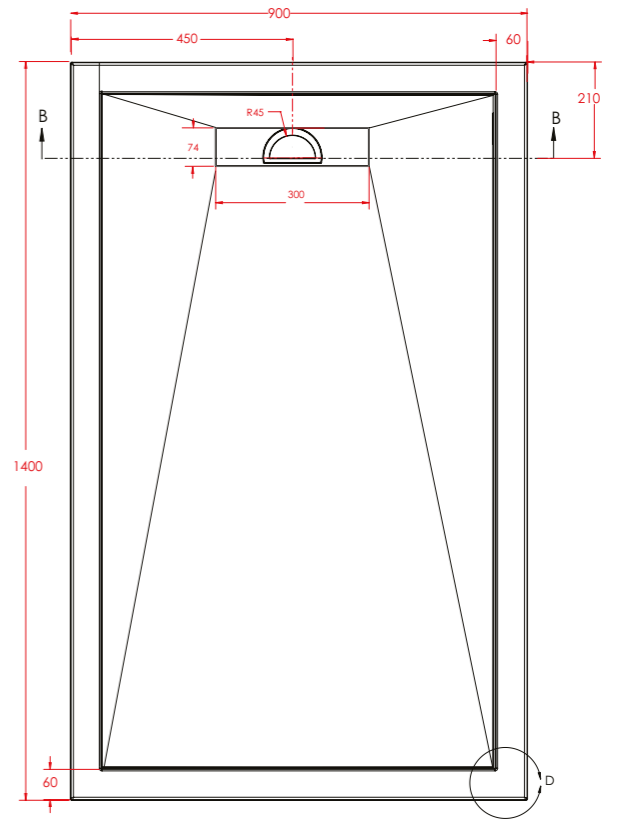
1200x760 LINEAR



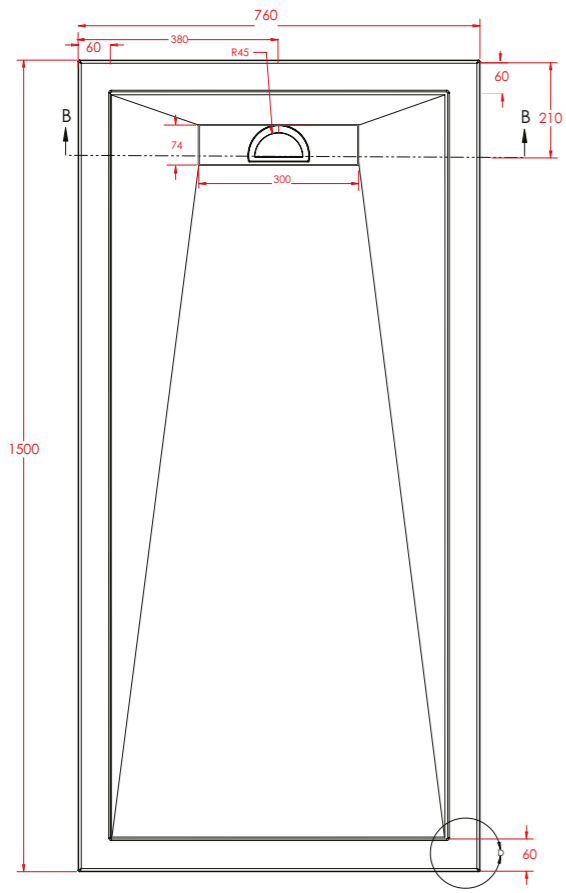
1200x800 LINEAR



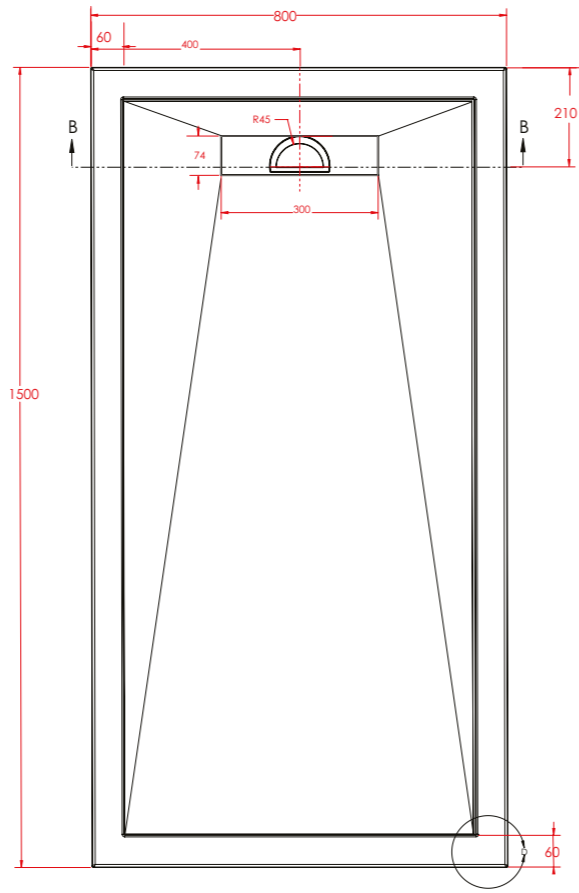
1400x800 LINEAR



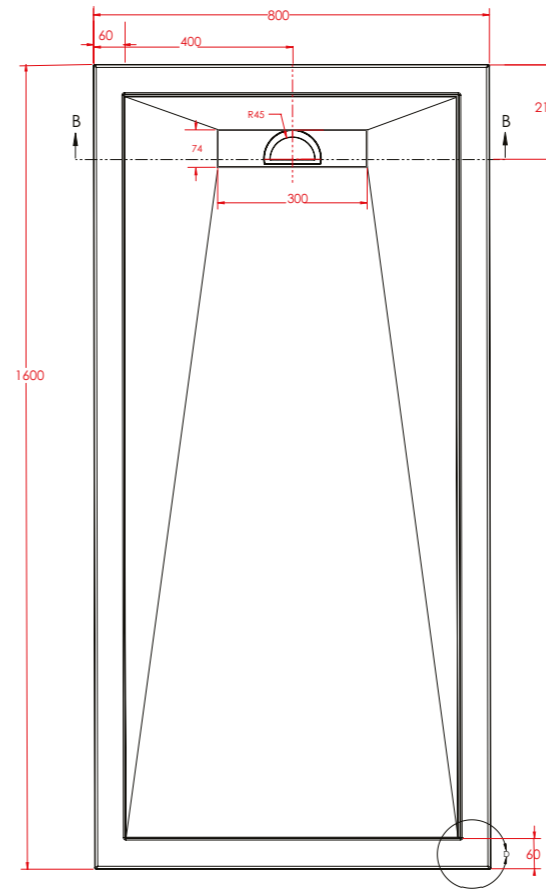
1400x900 LINEAR



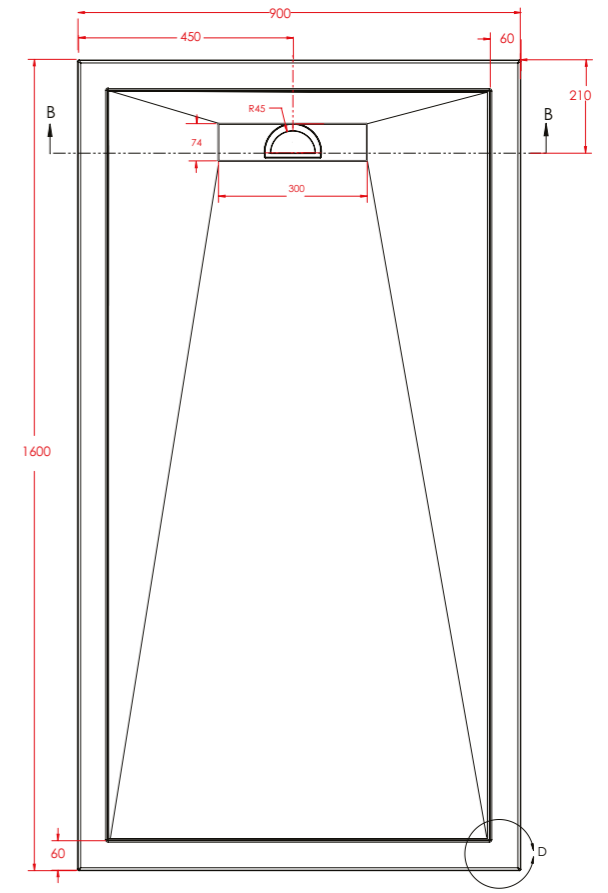
1500x760 LINEAR



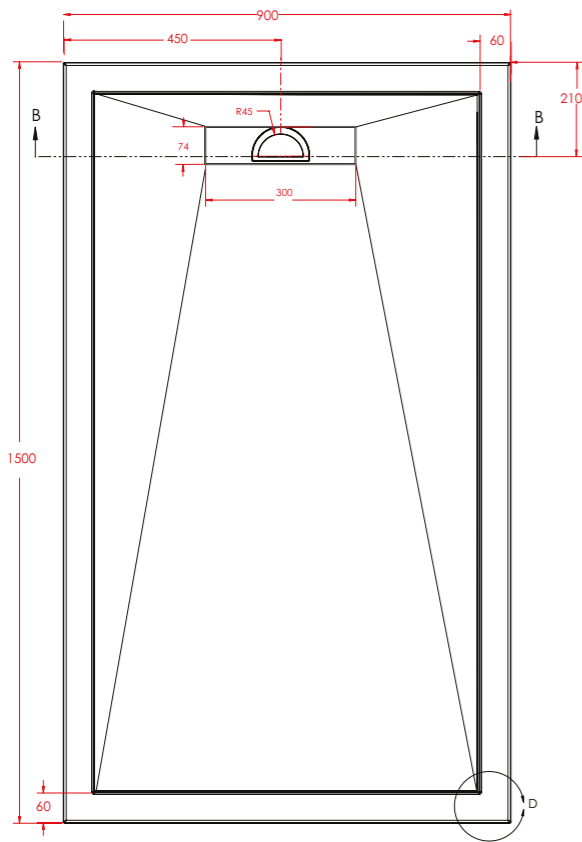
1500x800 LINEAR



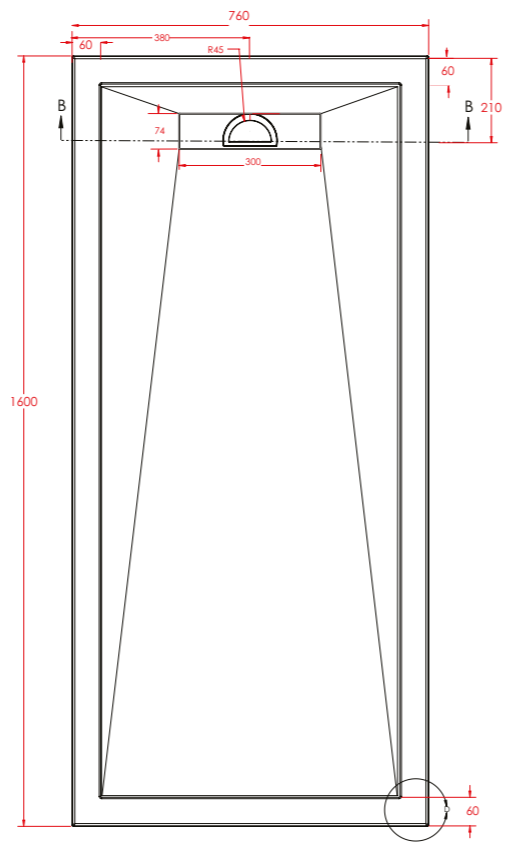
1600x800 LINEAR



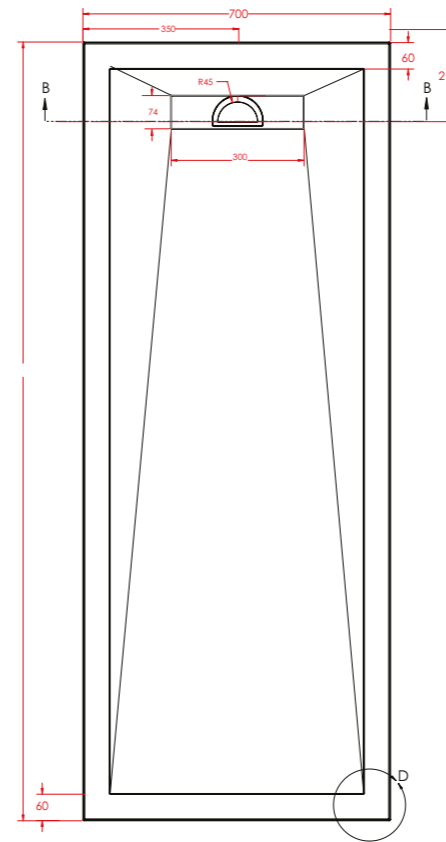
1600x900 LINEAR



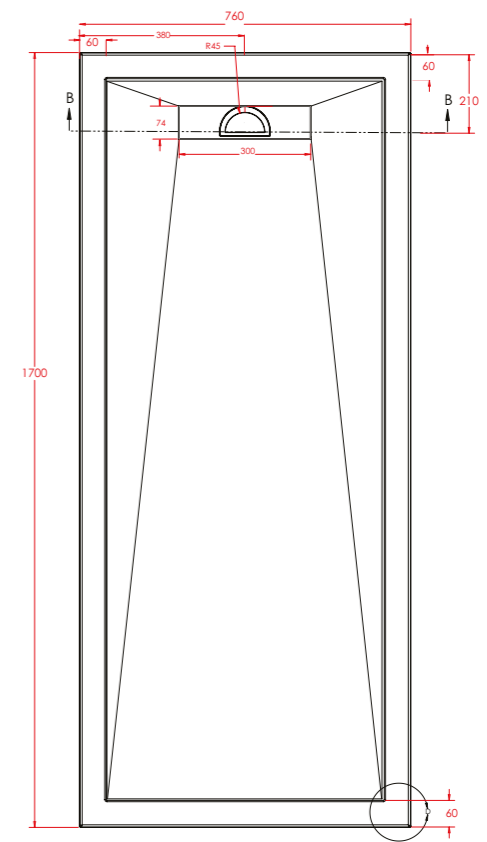
1500x900 LINEAR



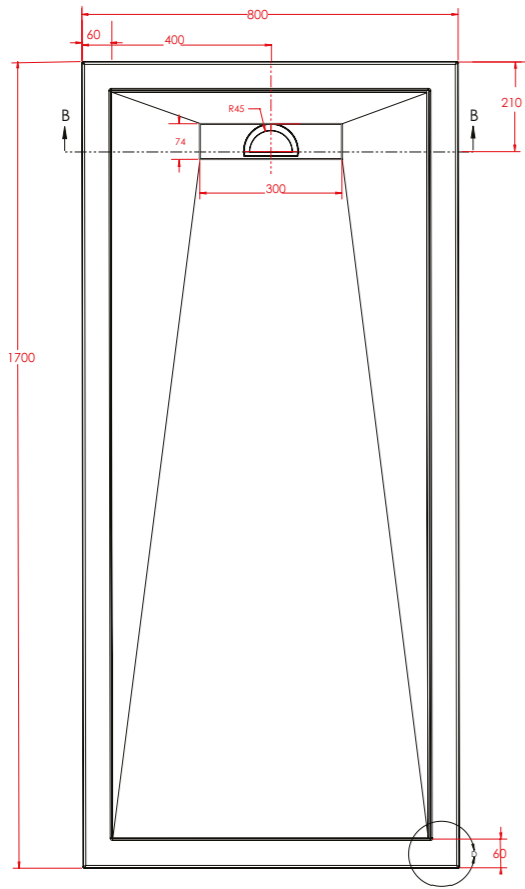
1600x760 LINEAR



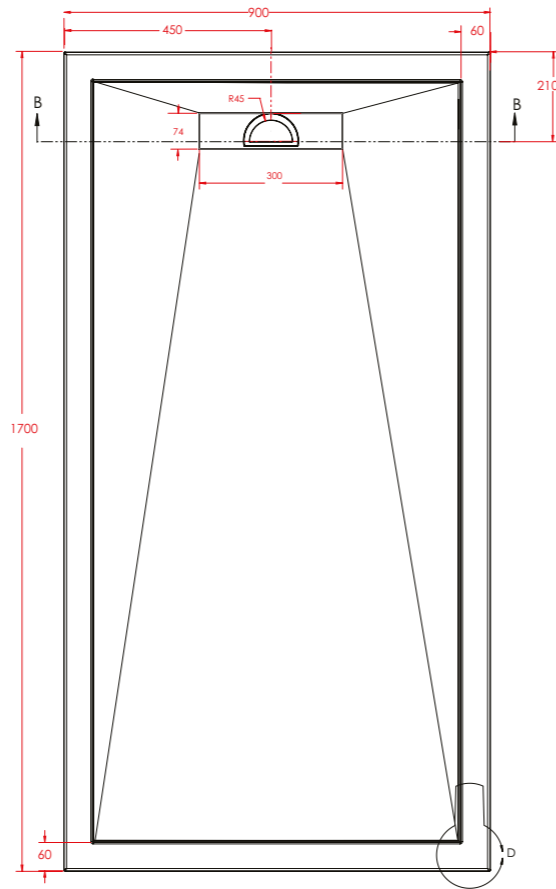
1700x700 LINEAR



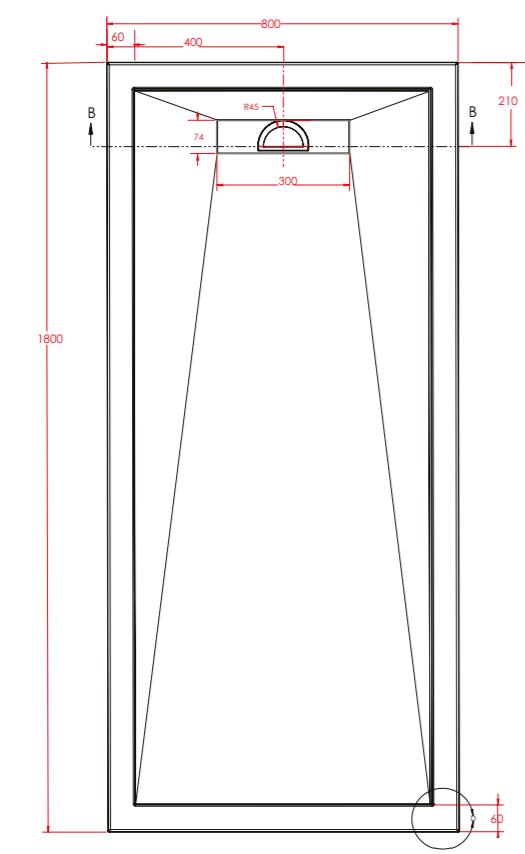
1700x760 LINEAR



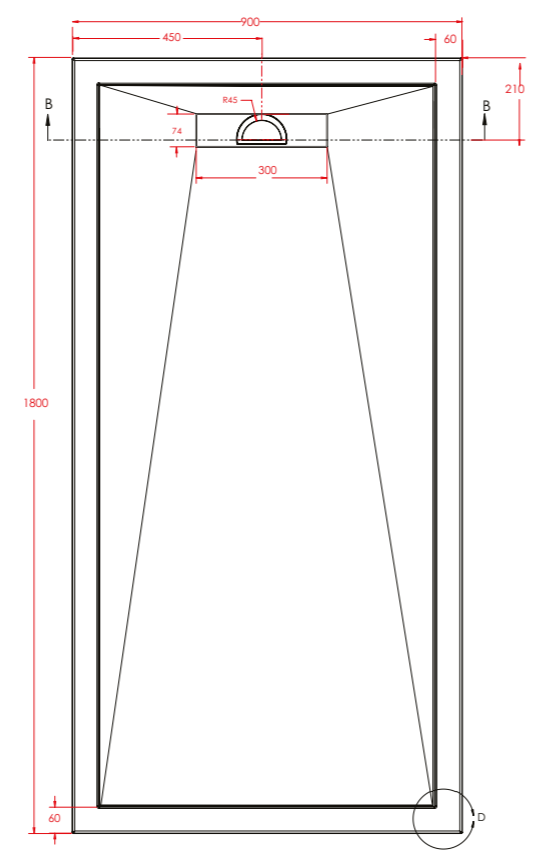
1700x800 LINEAR



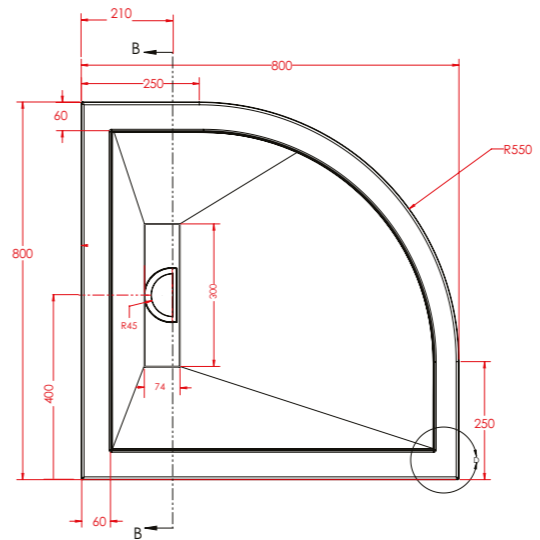
1700x900 LINEAR



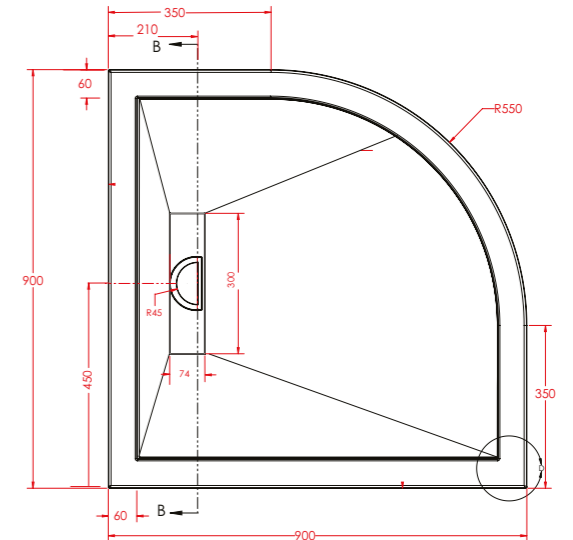
1800x800 LINEAR



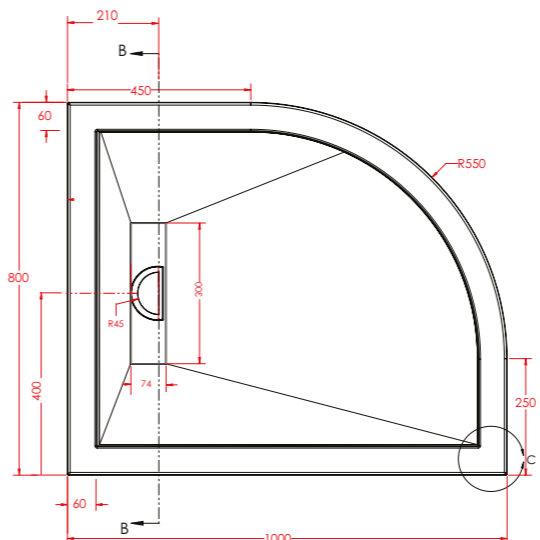
1800x900 LINEAR



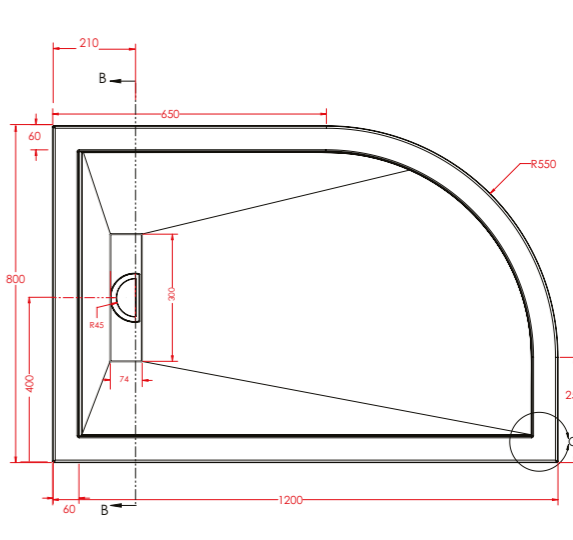
800x800 LINEAR



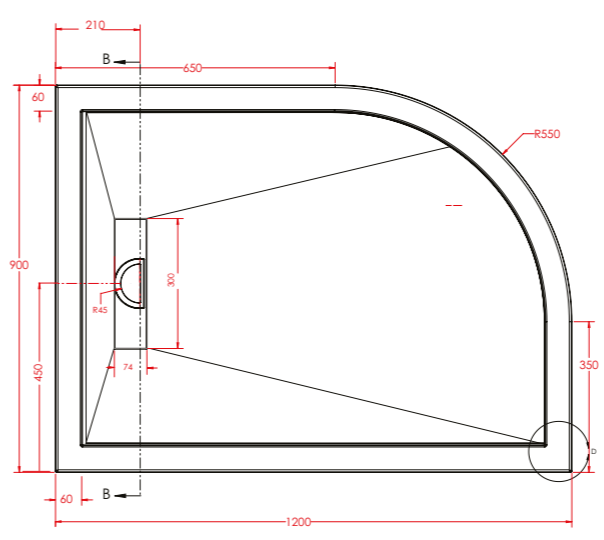
900x900 LINEAR



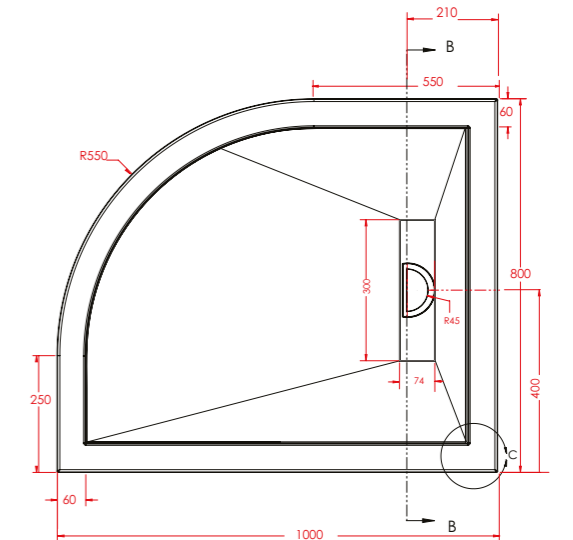
1000x800 LINEAR LH



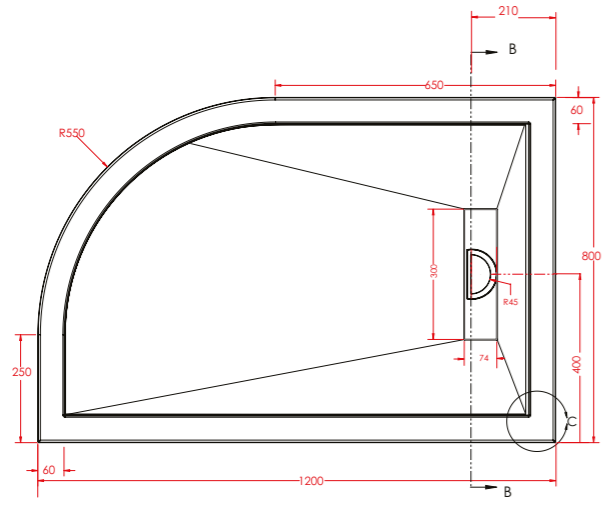
1200x800 LINEAR LH



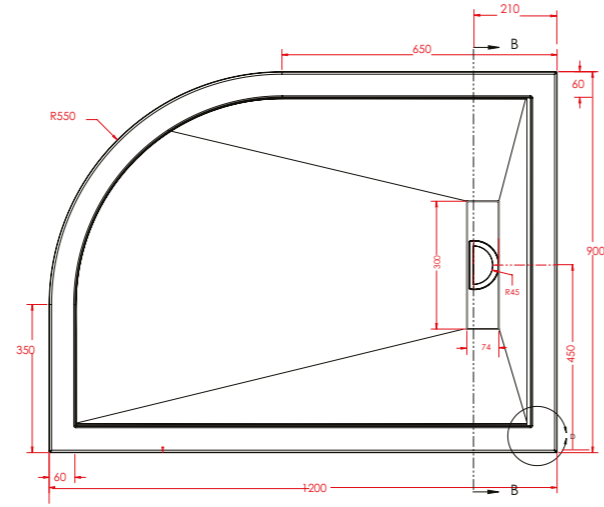
1200x900 LINEAR LH



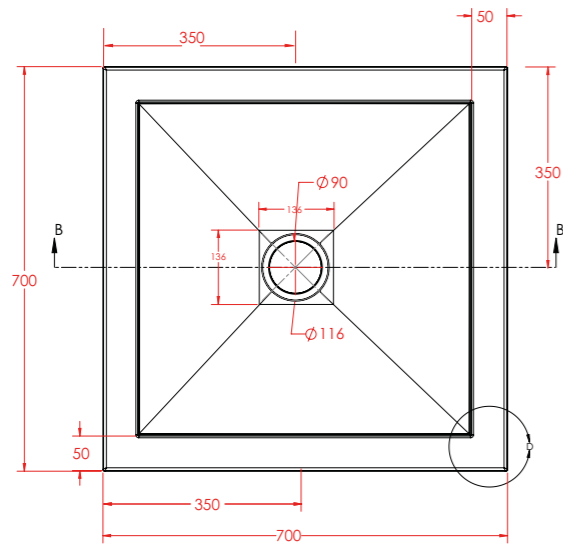
1000x800 LINEAR RH



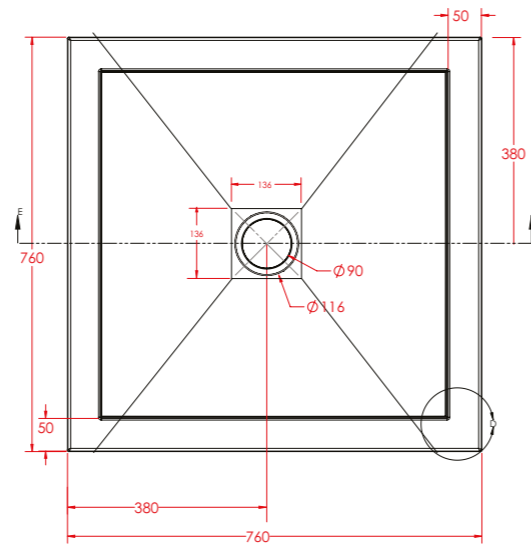
1200x800 LINEAR RH



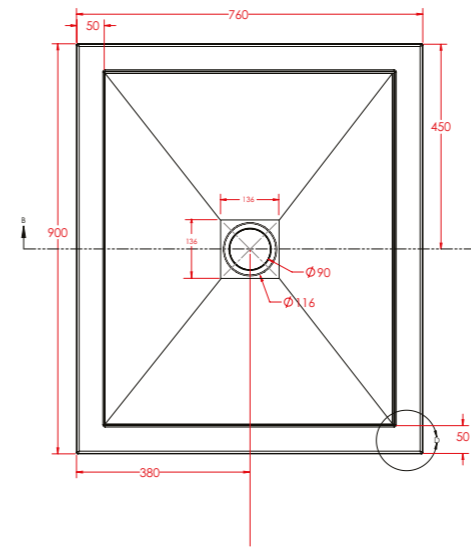
1200x900 LINEAR RH



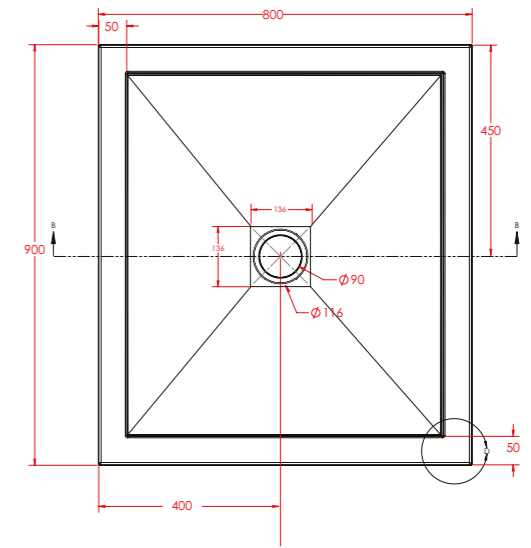
700x700 SYMMETRY



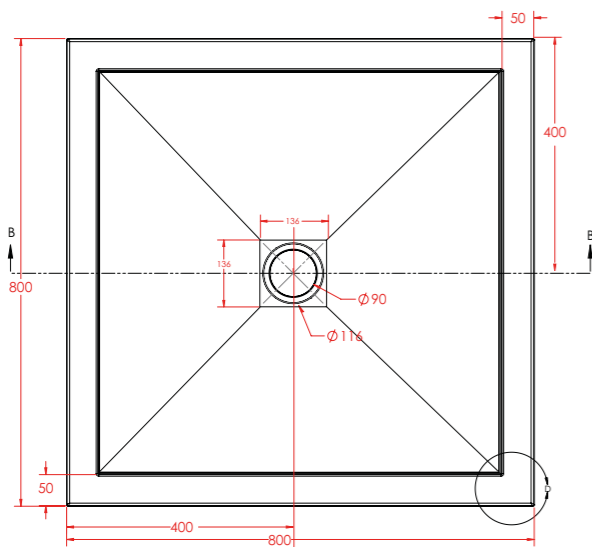
760x760 SYMMETRY



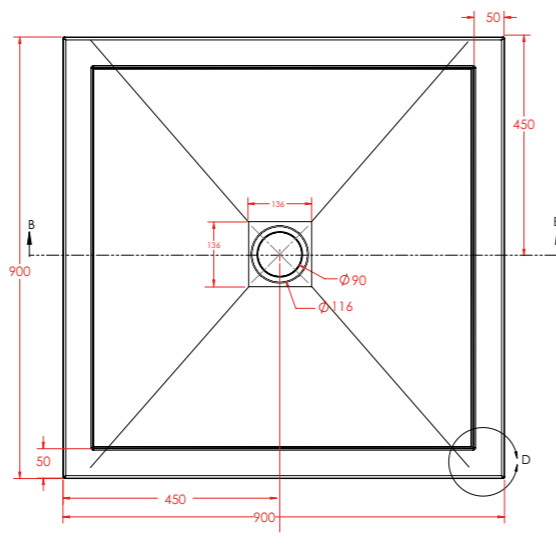
900x760 SYMMETRY



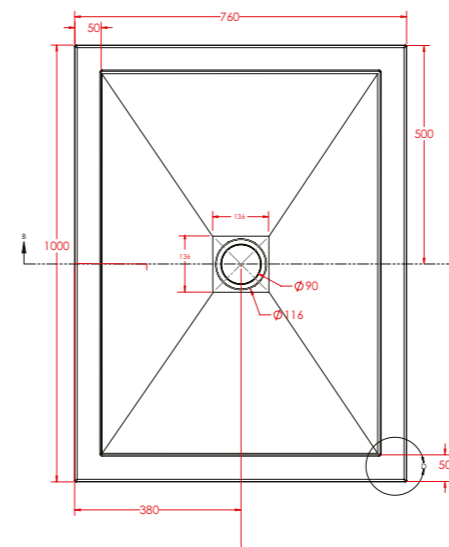
900x800 SYMMETRY



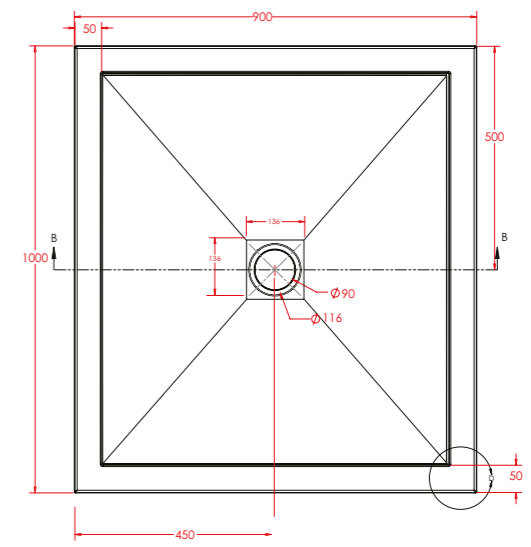
800x800 SYMMETRY



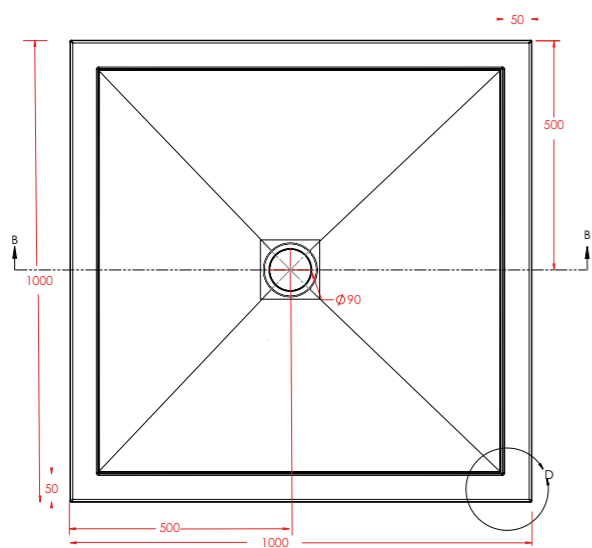
900x900 SYMMETRY



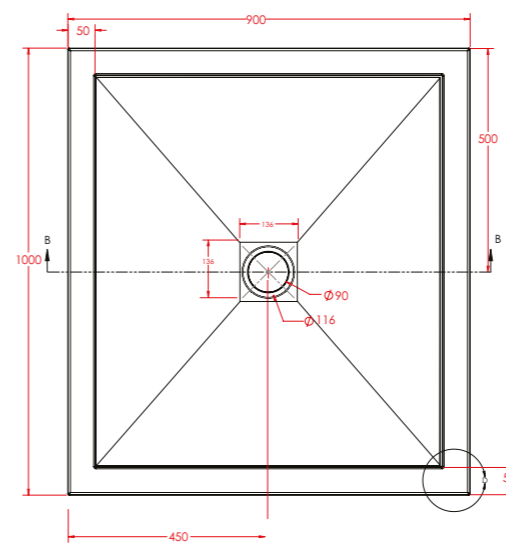
1000x760 SYMMETRY



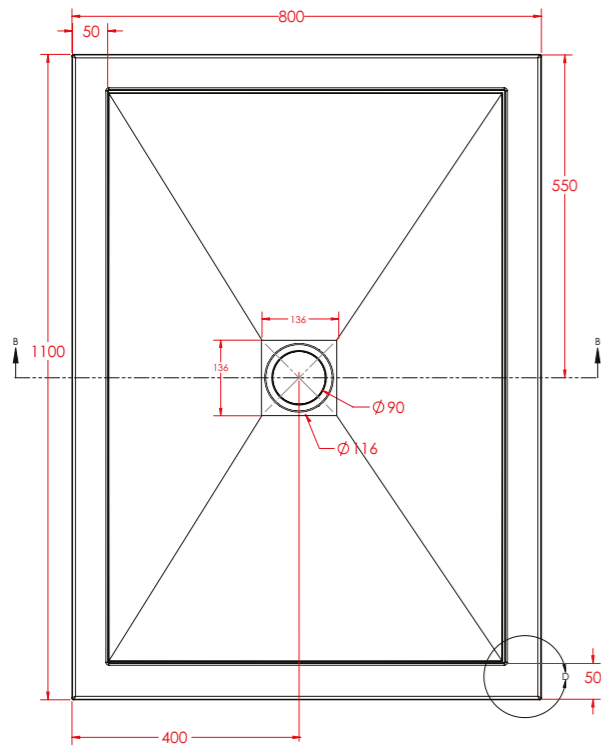
1000x800 SYMMETRY



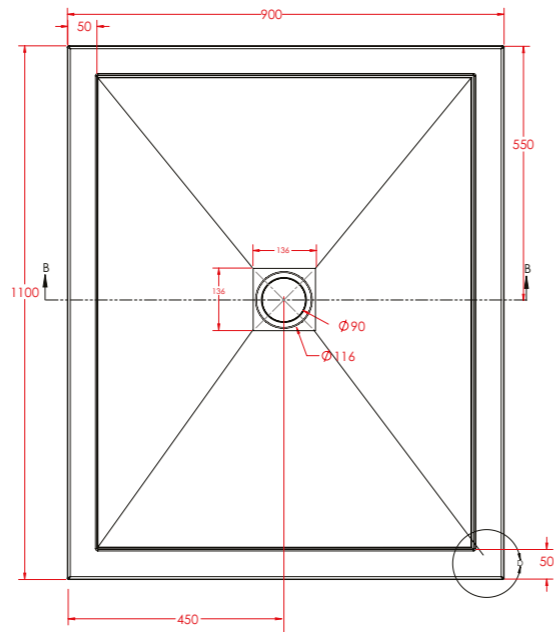
1000x1000 SYMMETRY



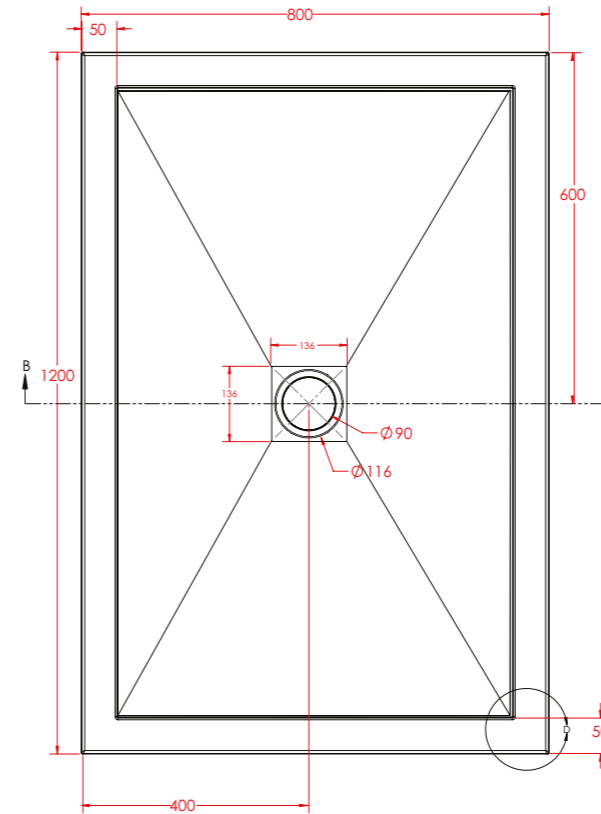
1000x900 SYMMETRY



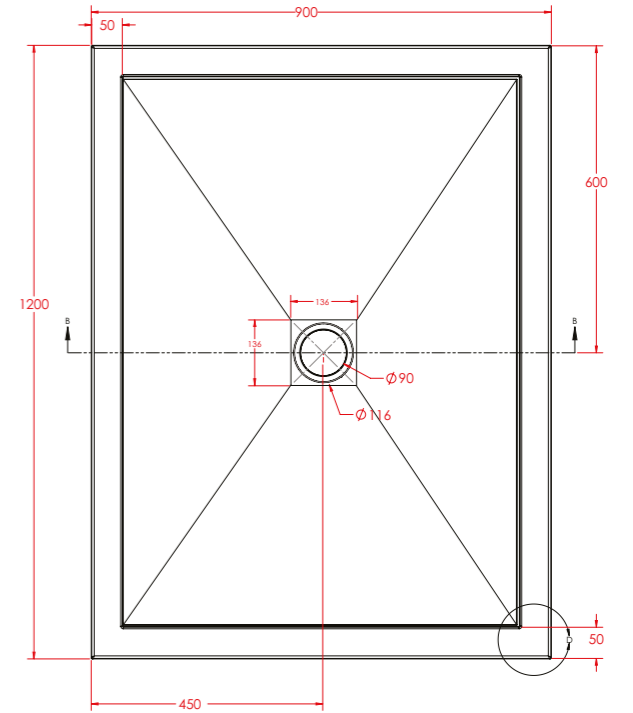
1100x800 SYMMETRY



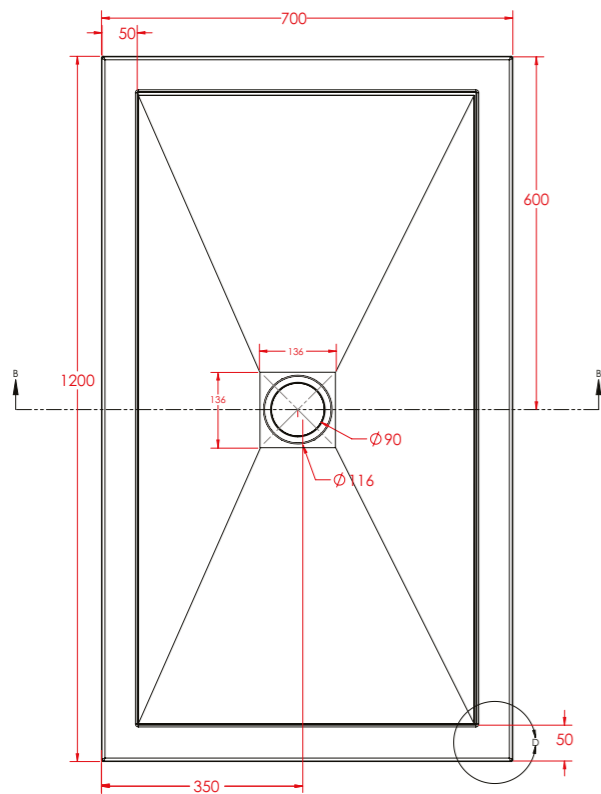
1100x900 SYMMETRY



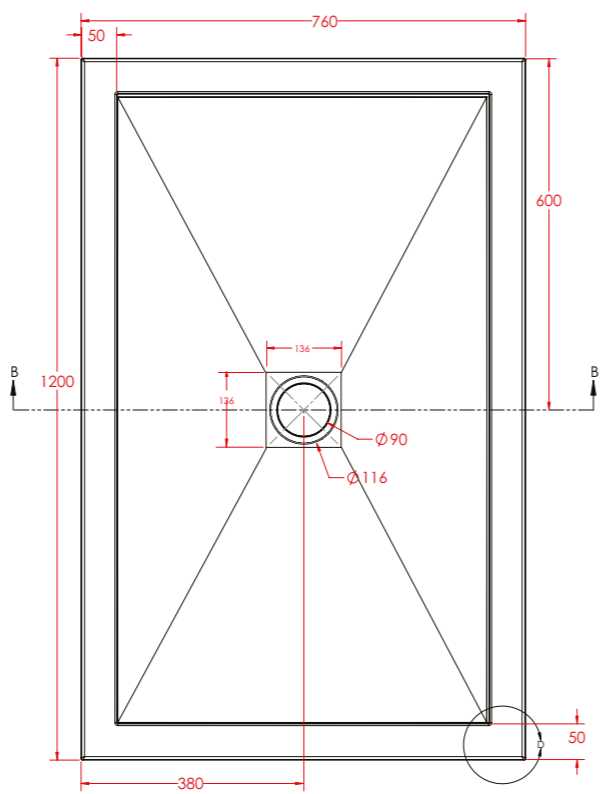
1200x800 SYMMETRY



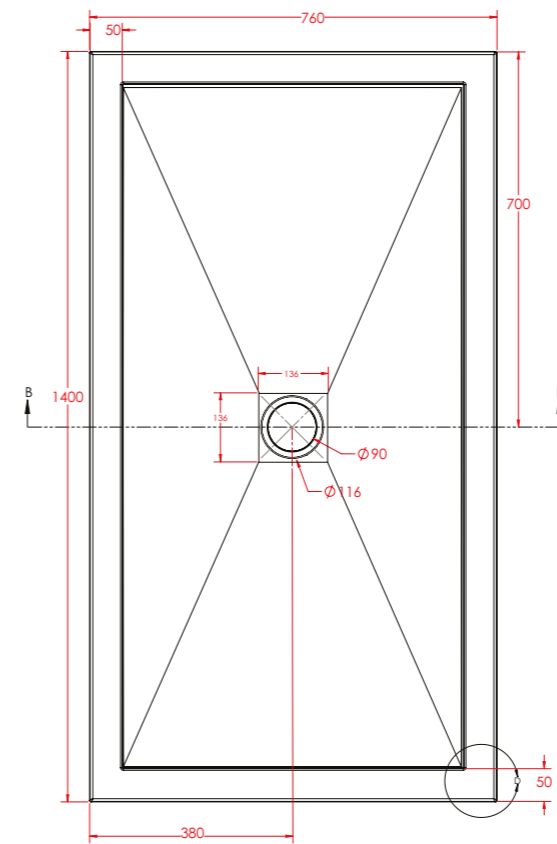
1200x900 SYMMETRY



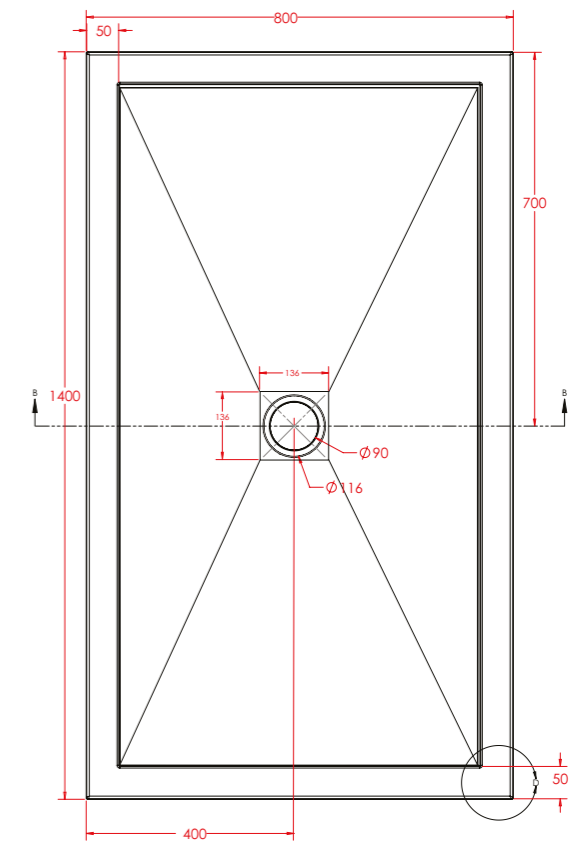
1200x700 SYMMETRY



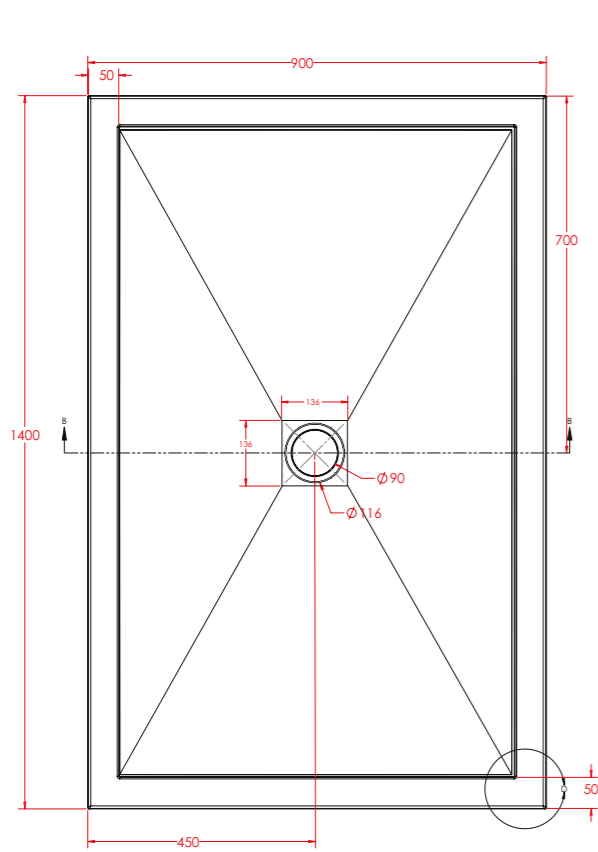
1200x760 SYMMETRY



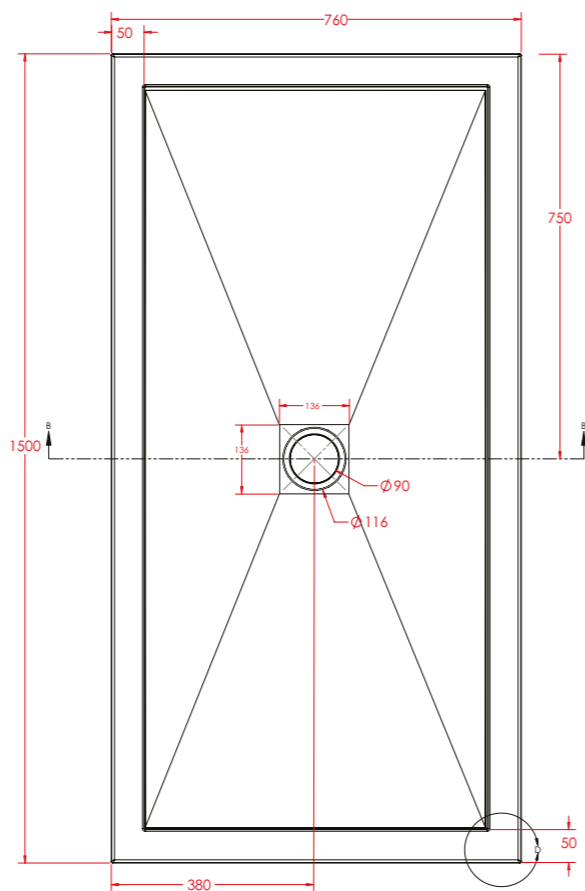
1400x760 SYMMETRY



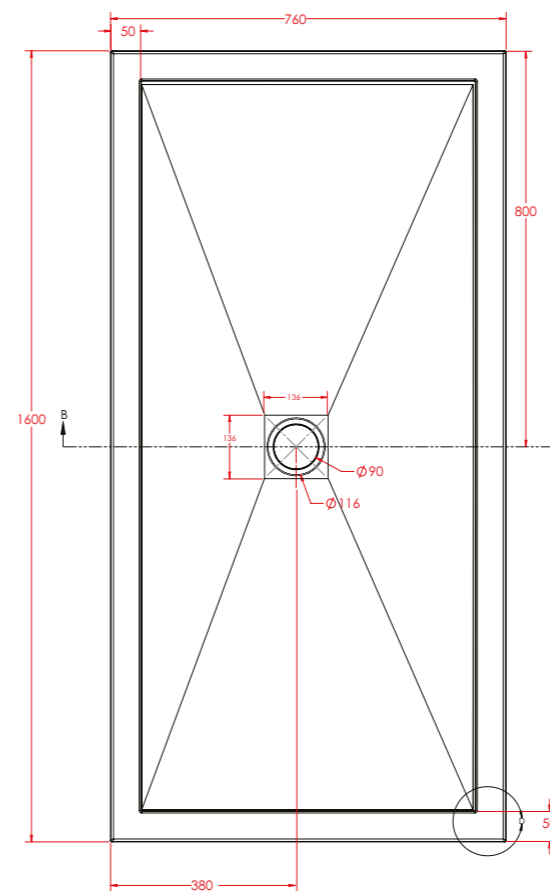
1400x800 SYMMETRY



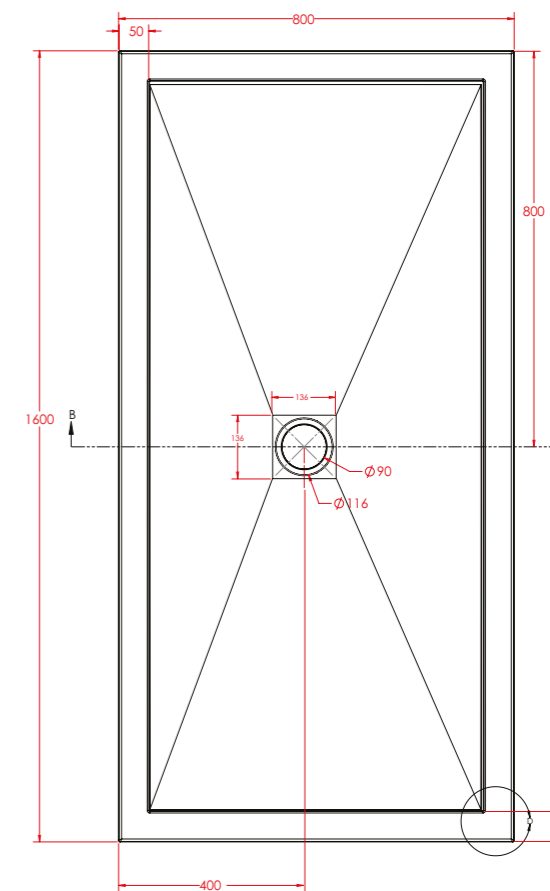
1400x900 SYMMETRY



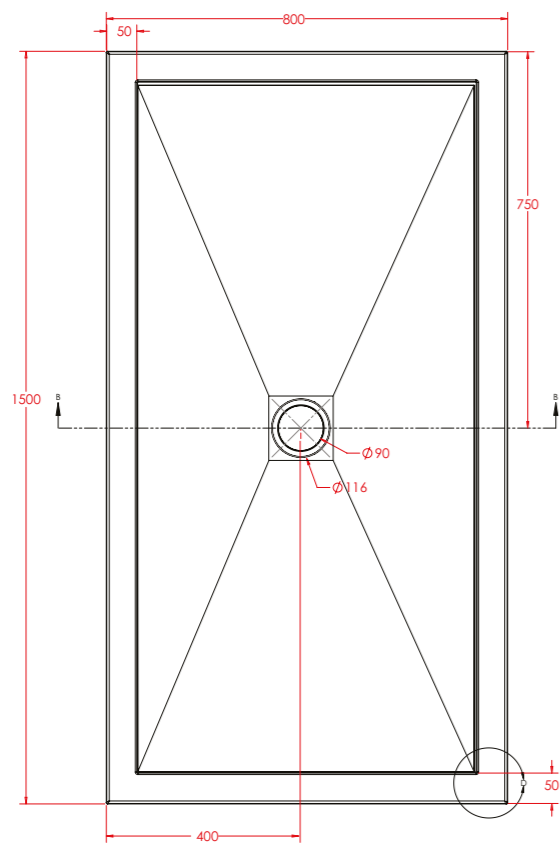
1500x760 SYMMETRY



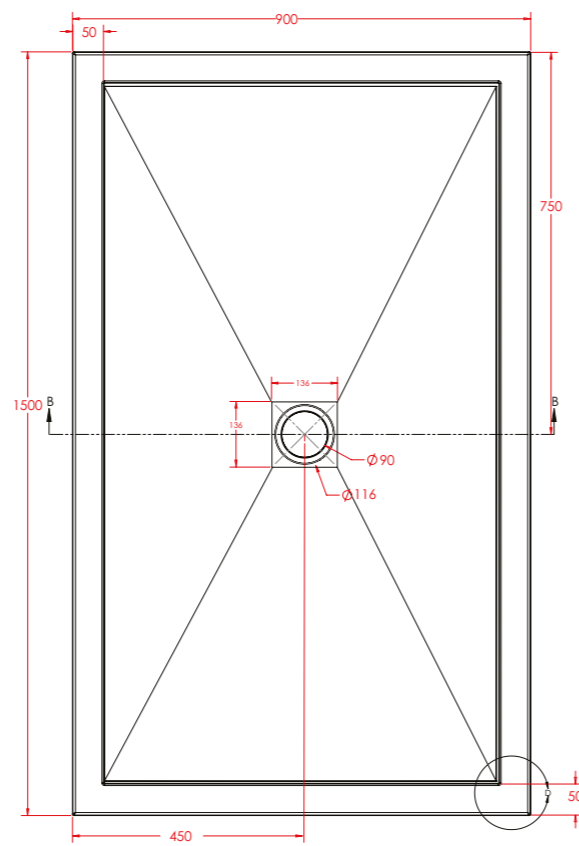
1600x760 SYMMETRY



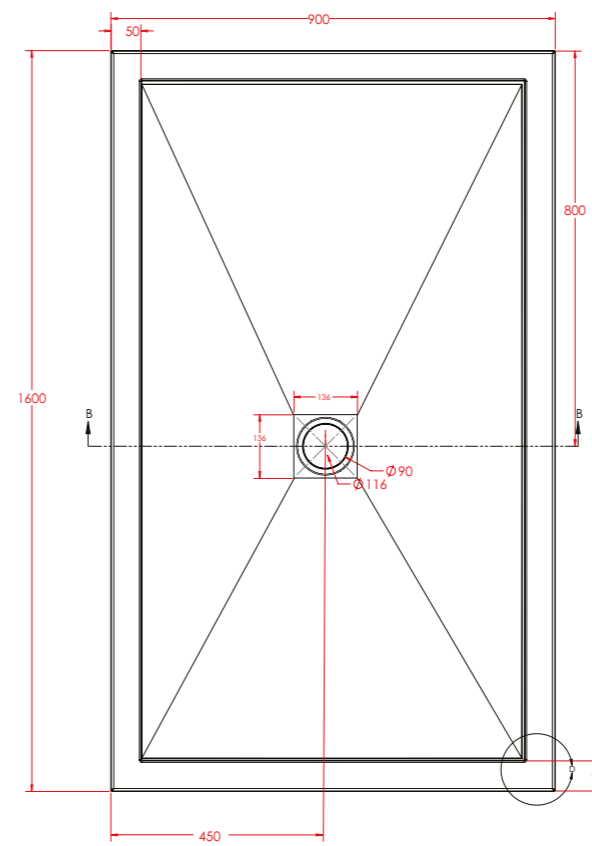
1600x800 SYMMETRY



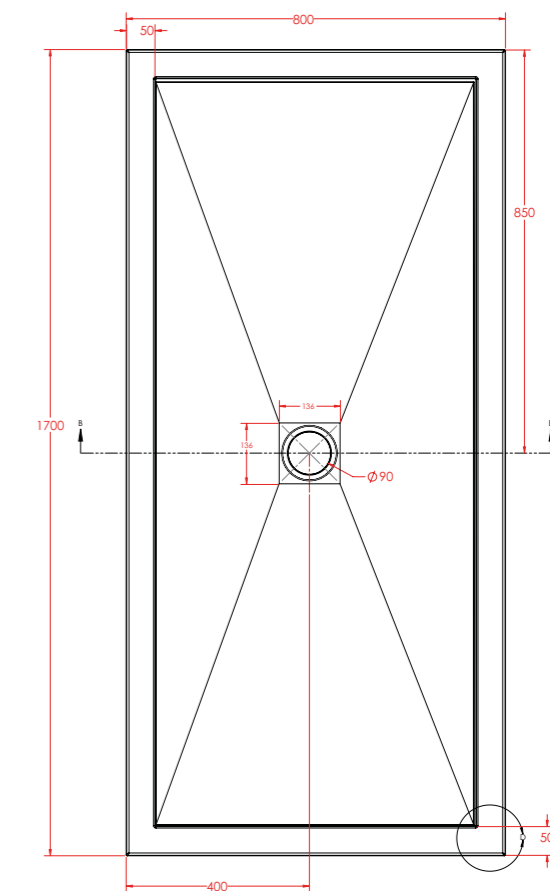
1500x800 SYMMETRY



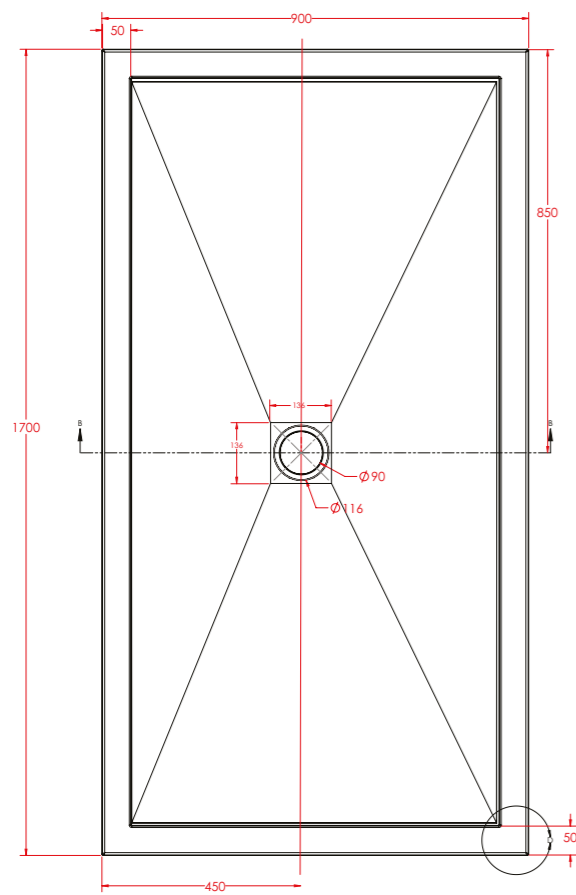
1500x900 SYMMETRY



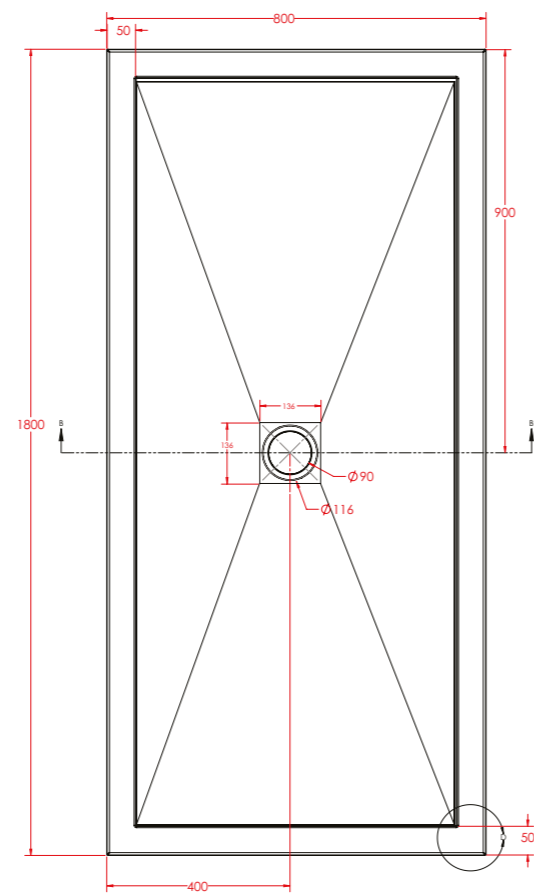
1600x900 SYMMETRY



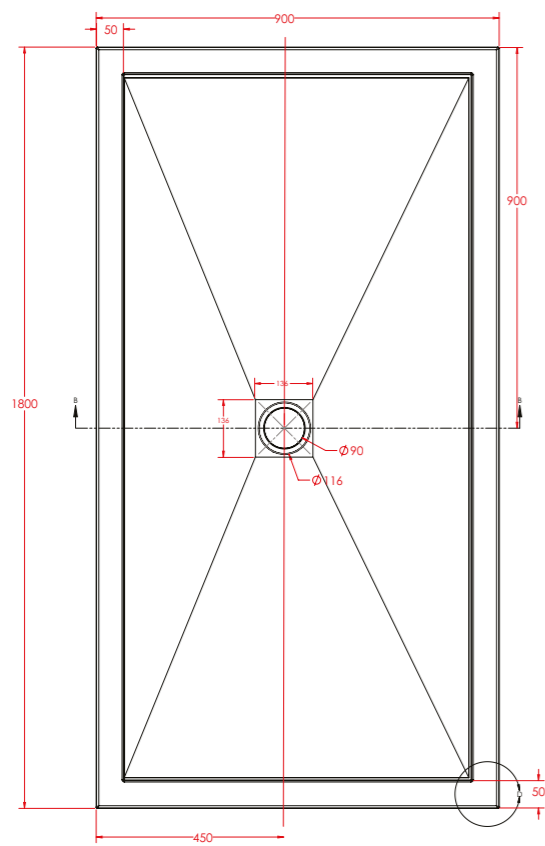
1700x800 SYMMETRY



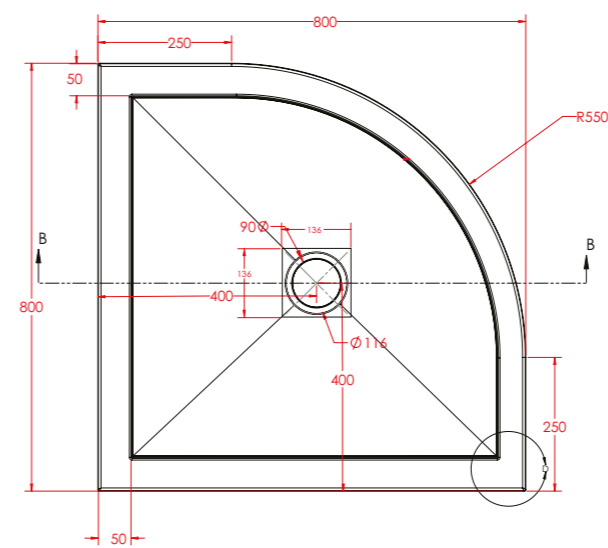
1700x900 SYMMETRY



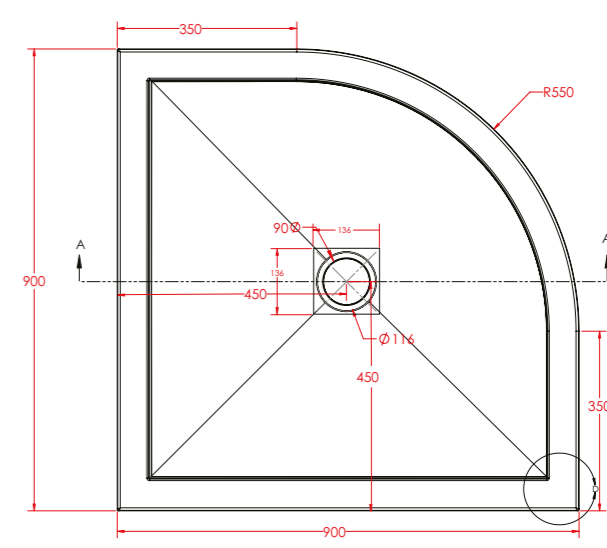
1800x800 SYMMETRY



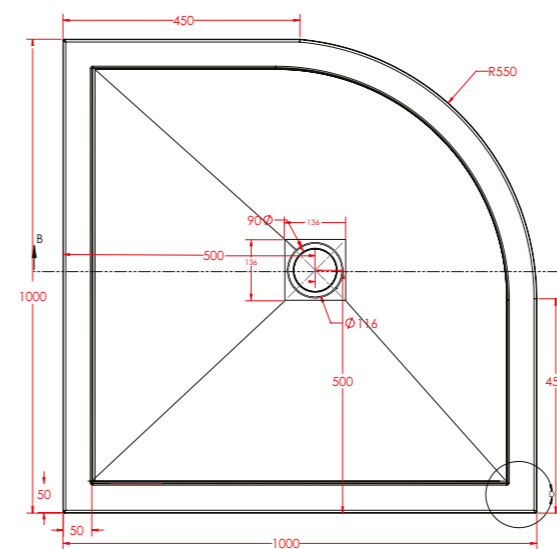
1800x900 SYMMETRY



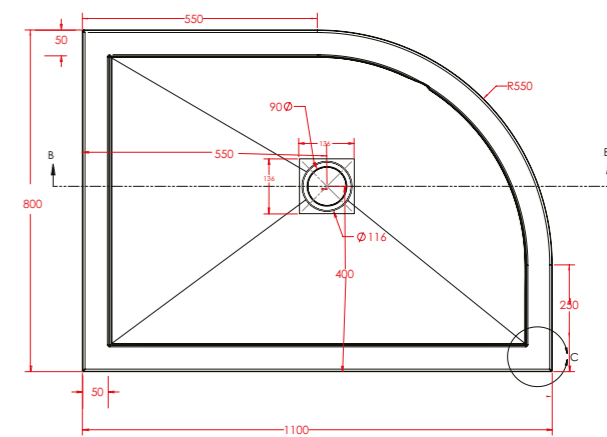
800x800 SYMMETRY



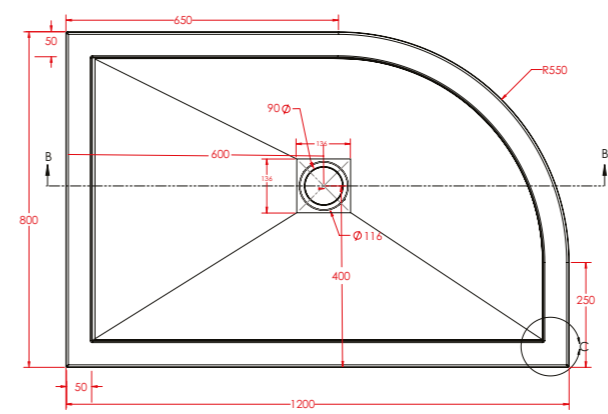
900x900 SYMMETRY



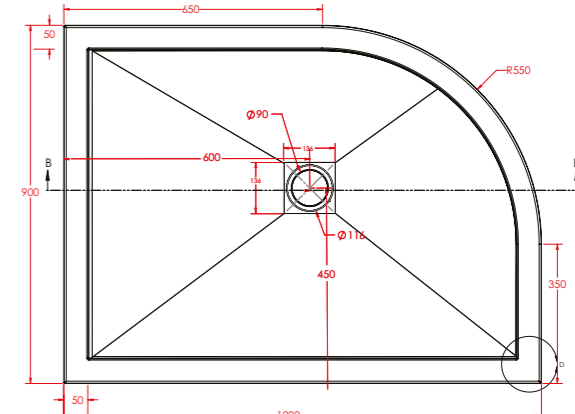
1000x1000 SYMMETRY



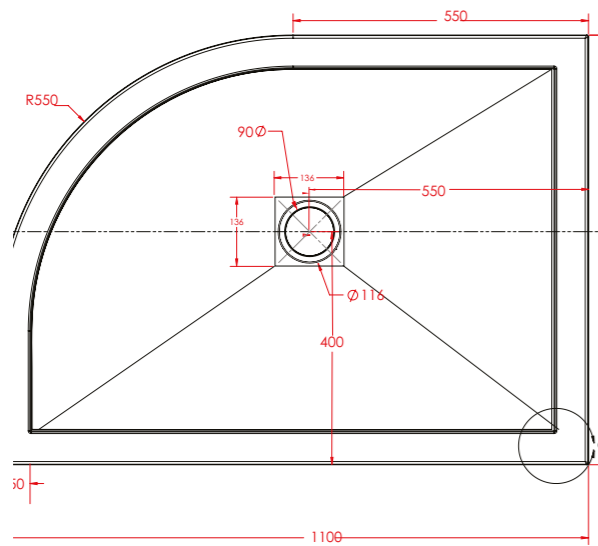
1100x800 SYMMETRY LH



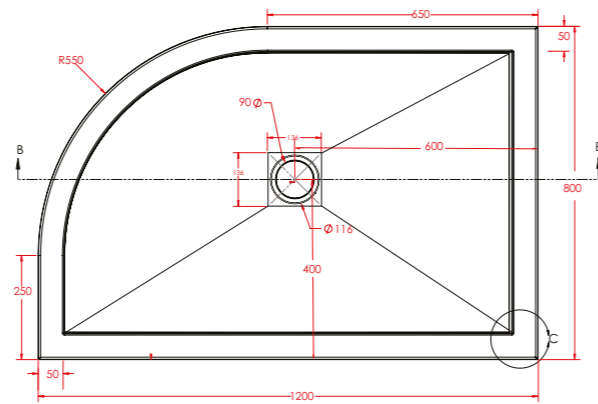
1200x800 SYMMETRY LH



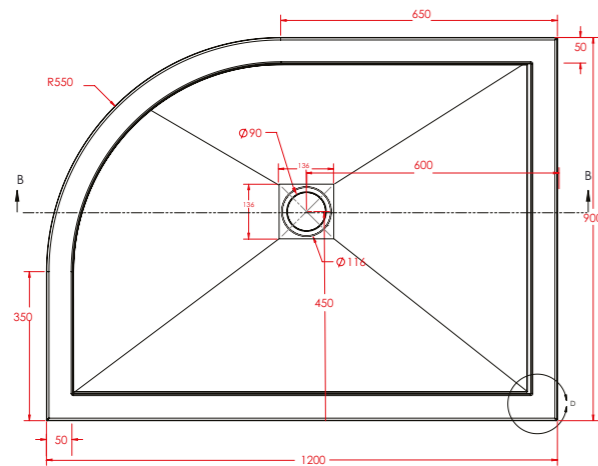
1200x900 SYMMETRY LH



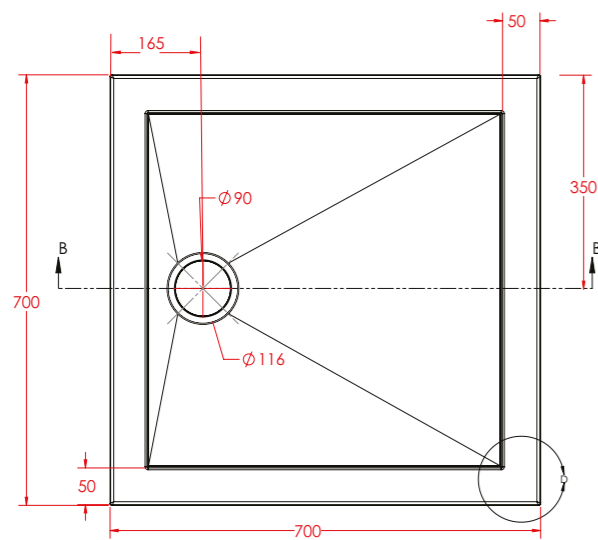
1100x800 SYMMETRY RH



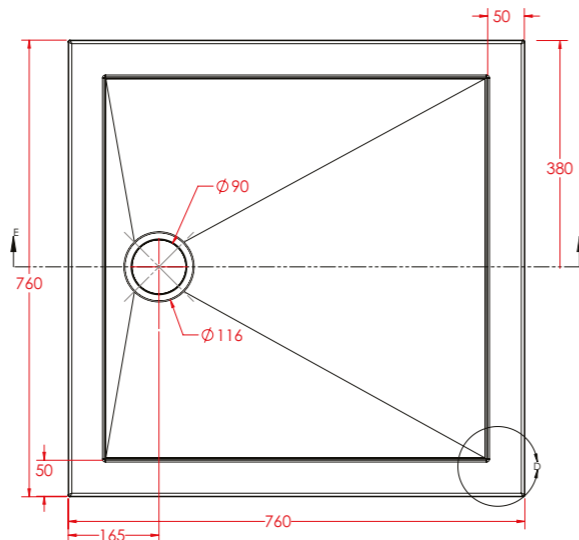
1200x800 SYMMETRY RH



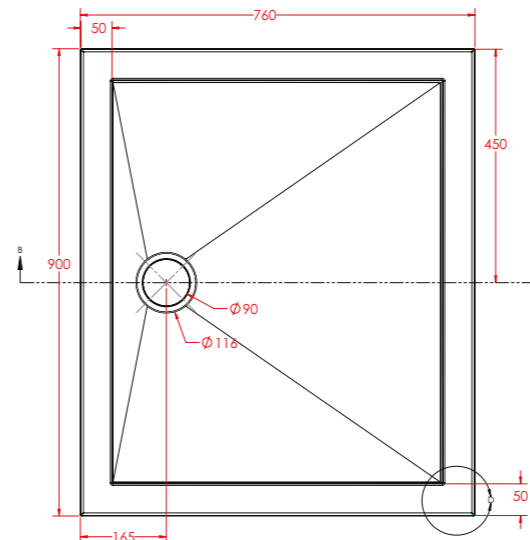
1200x900 SYMMETRY RH



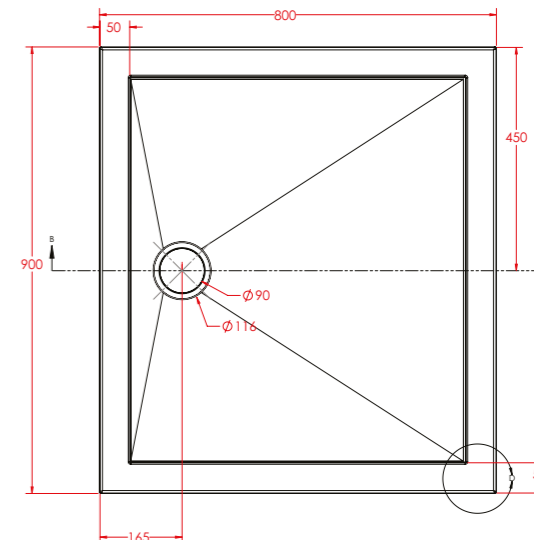
700x700 ELEMENTARY



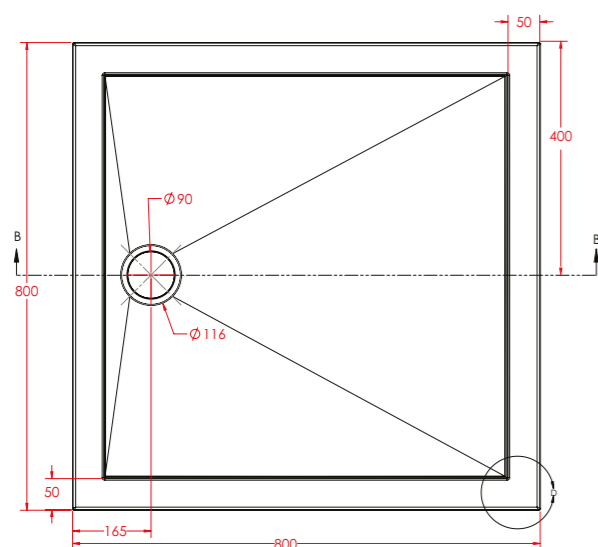
760x760 ELEMENTARY



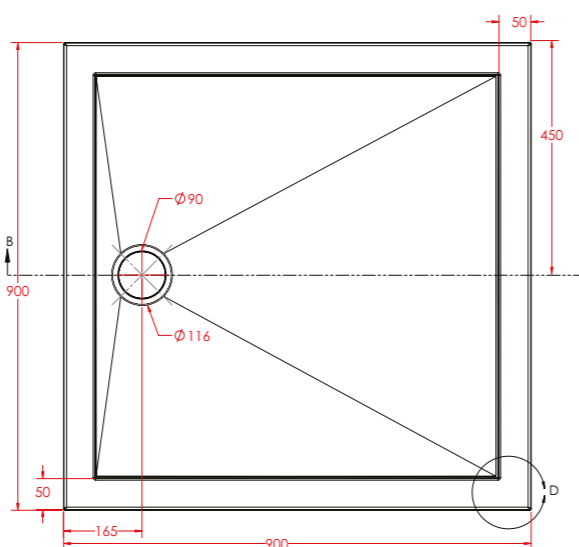
900x760 ELEMENTARY



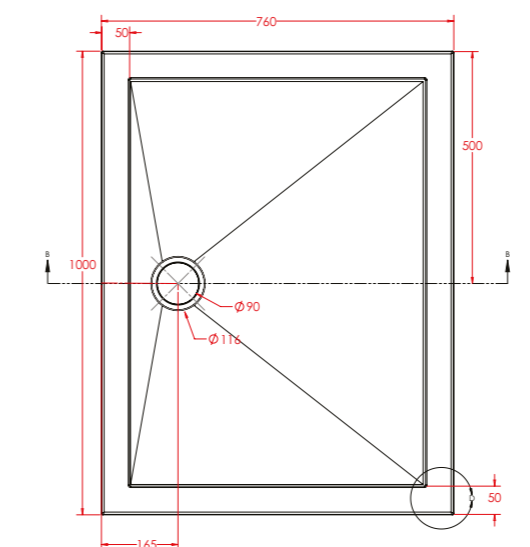
900x800 ELEMENTARY



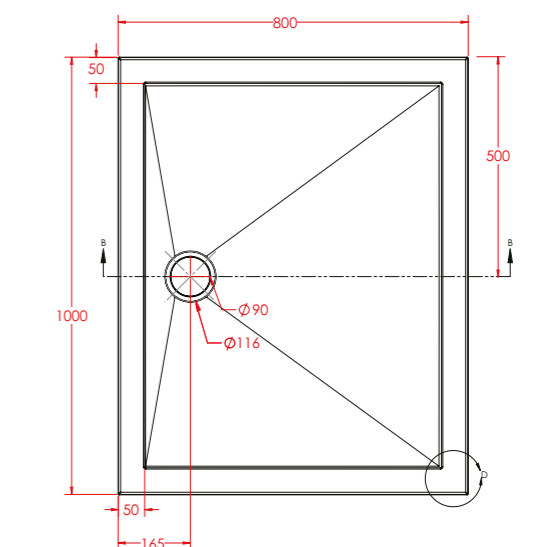
800x800 ELEMENTARY



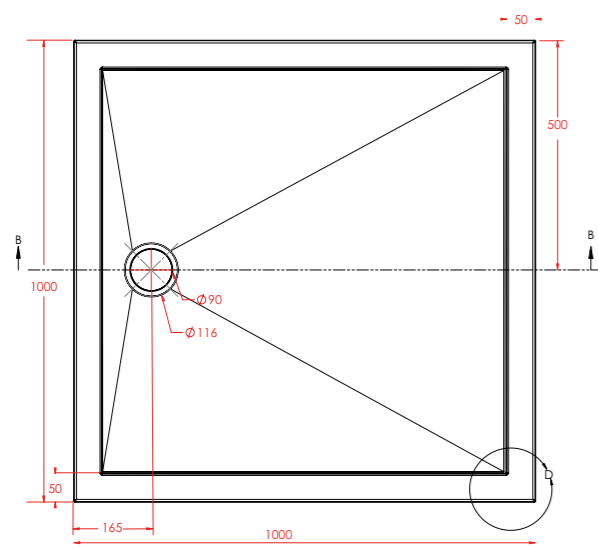
900x900 ELEMENTARY



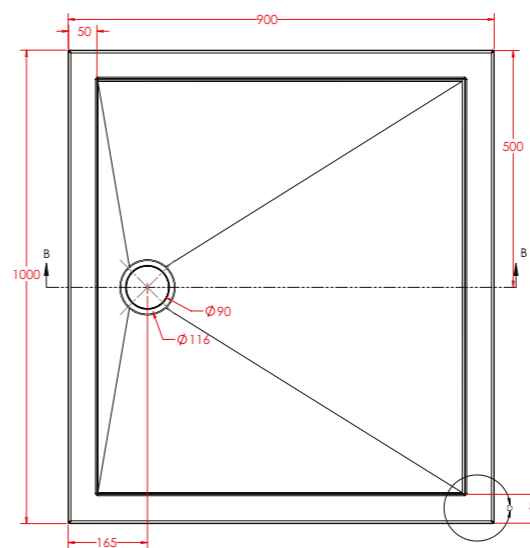
1000x760 ELEMENTARY



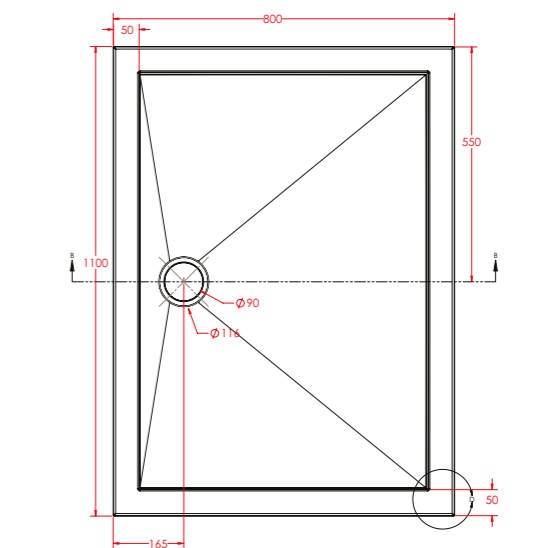
1000x800 ELEMENTARY



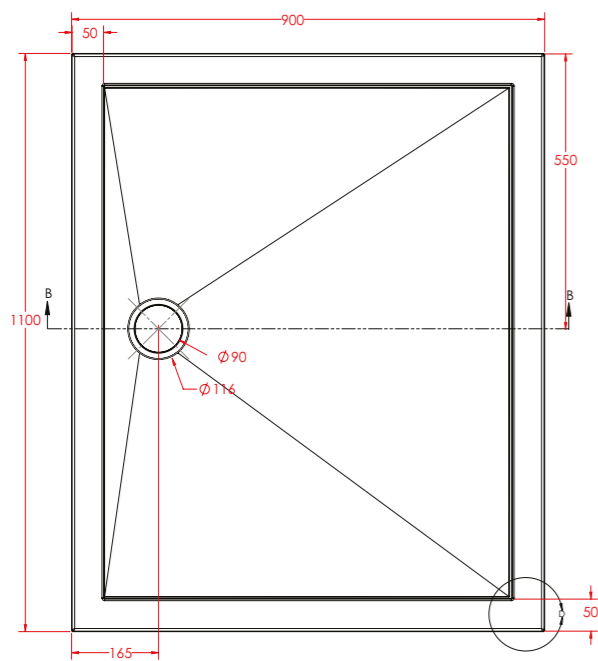
1000x1000 ELEMENTARY



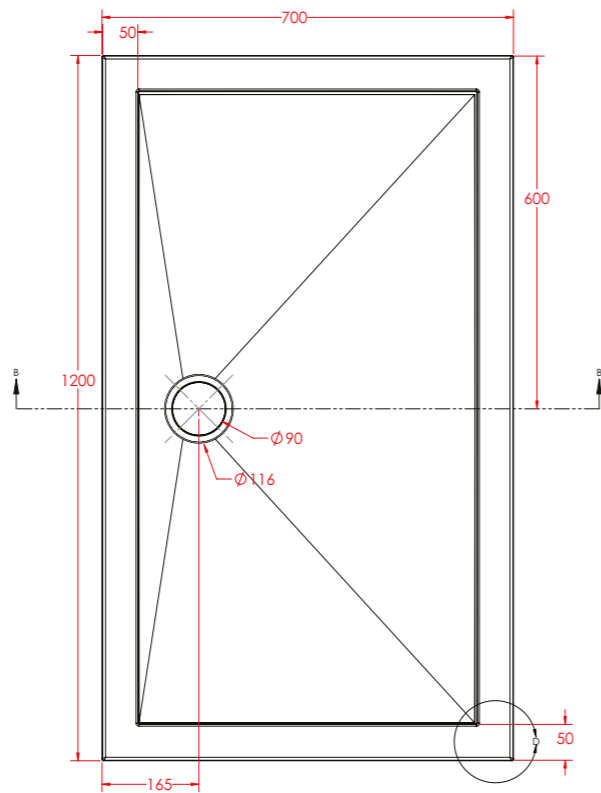
1000x900 ELEMENTARY



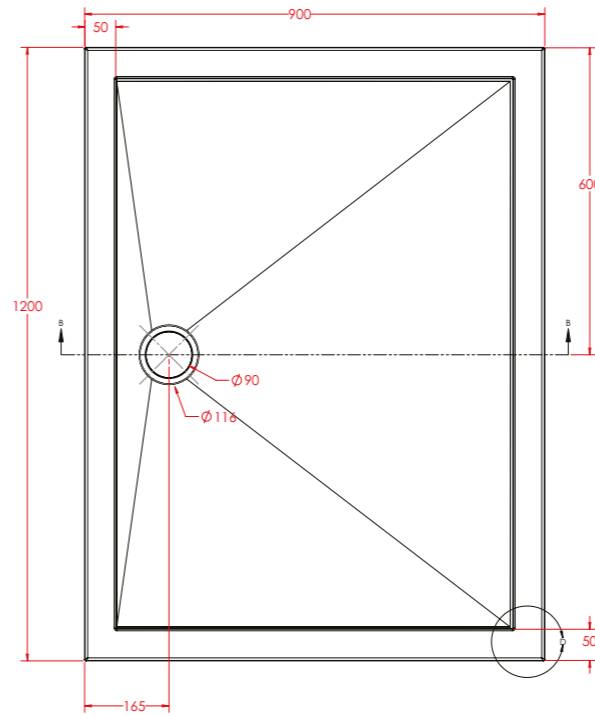
1100x800 ELEMENTARY



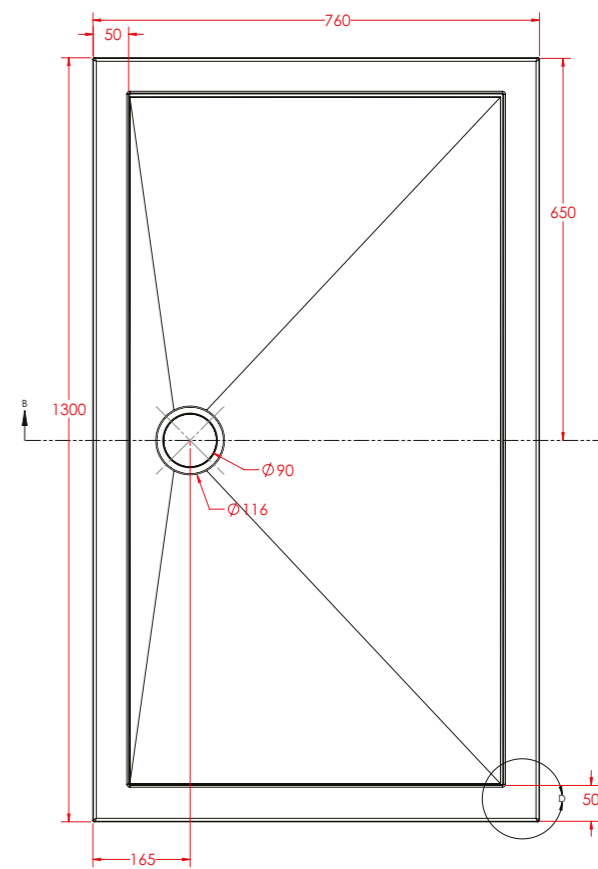
1100x900 ELEMENTARY



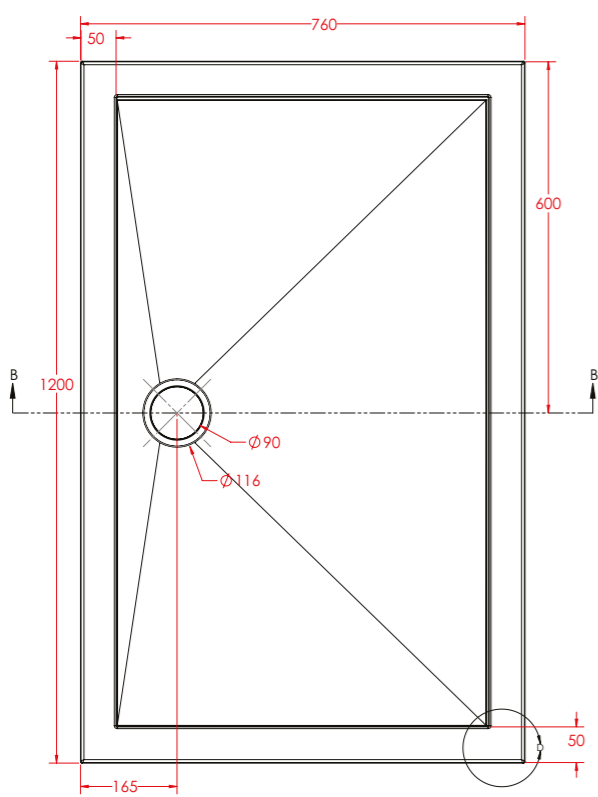
1200x700 ELEMENTARY



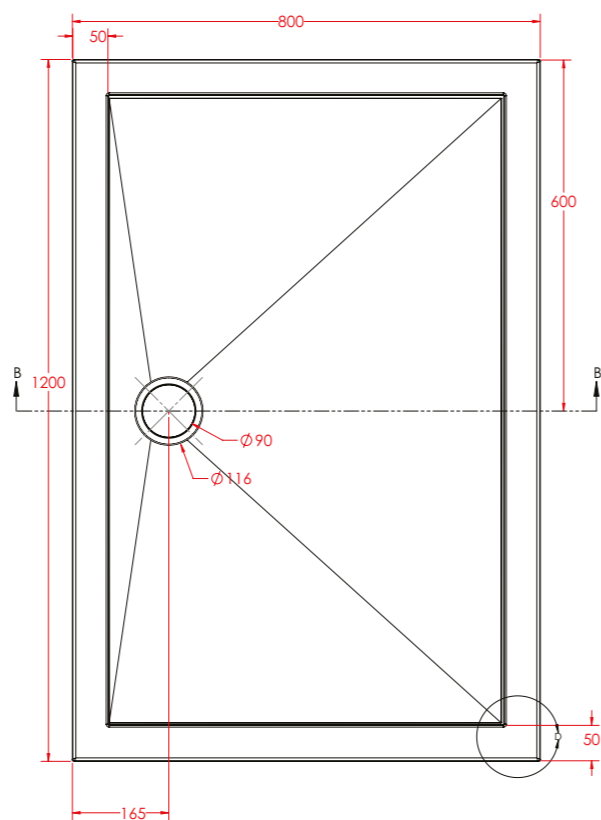
1200x900 ELEMENTARY



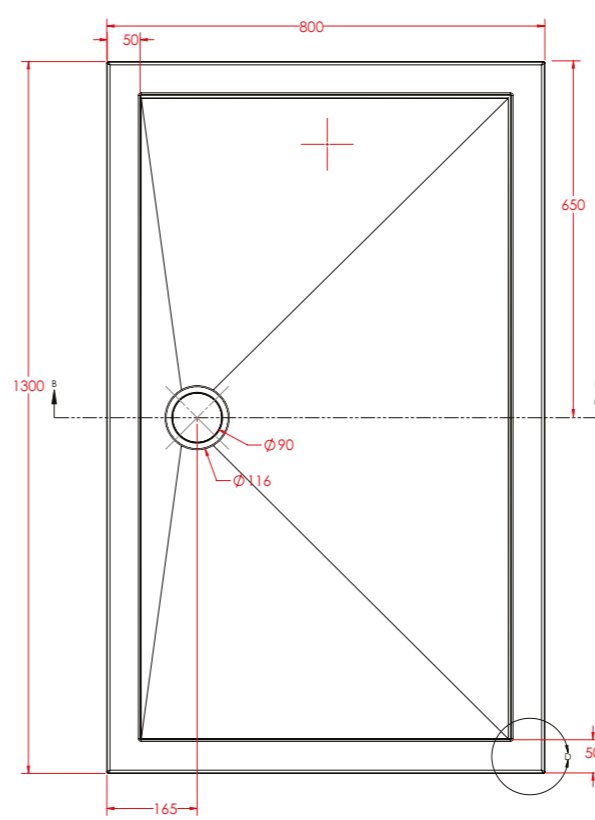
1300x760 ELEMENTARY



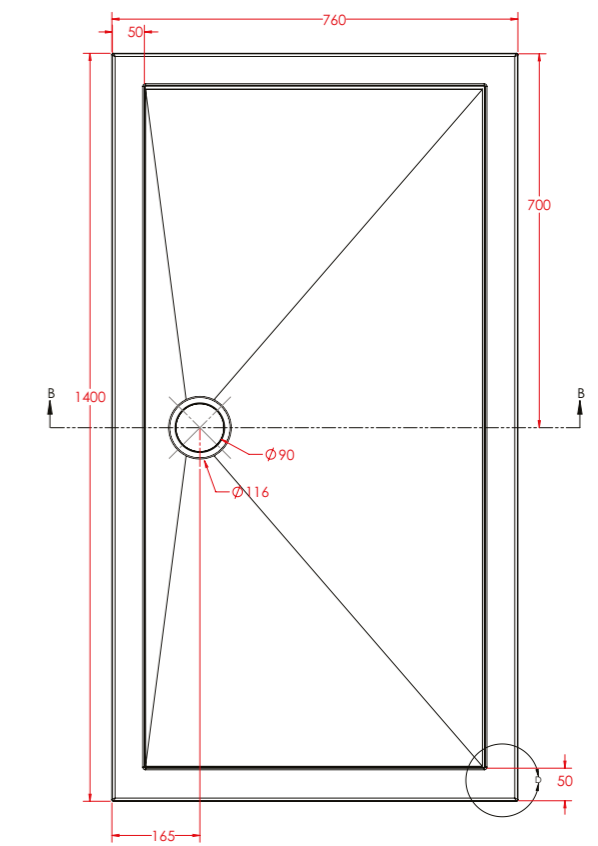
1200x760 ELEMENTARY



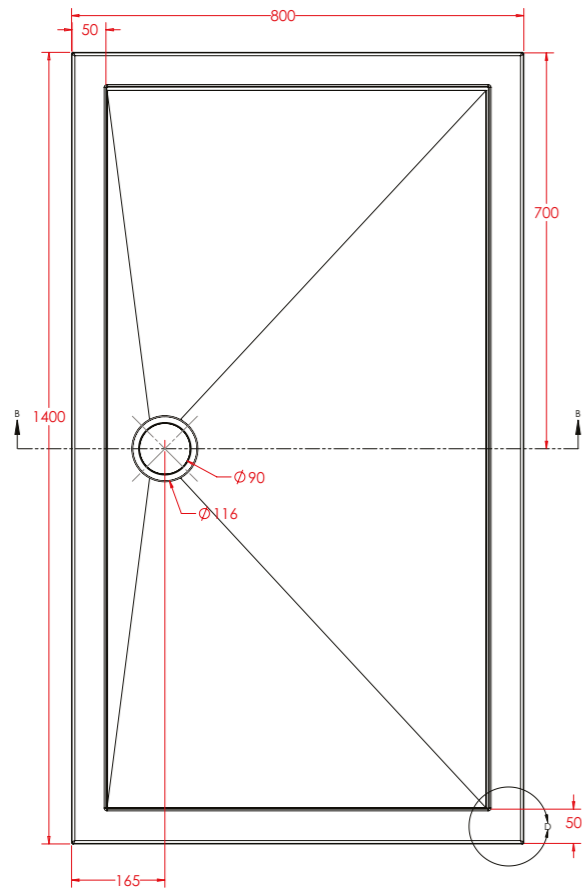
1200x800 ELEMENTARY



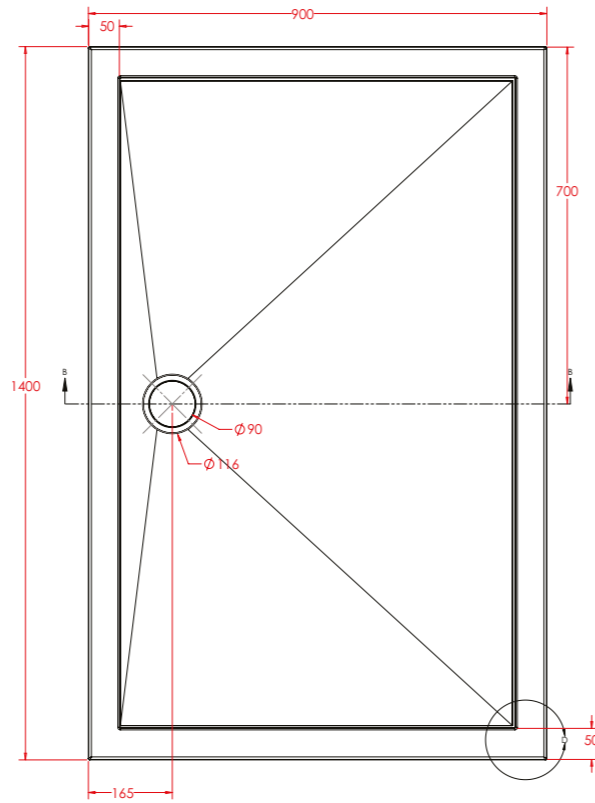
1300x800 ELEMENTARY



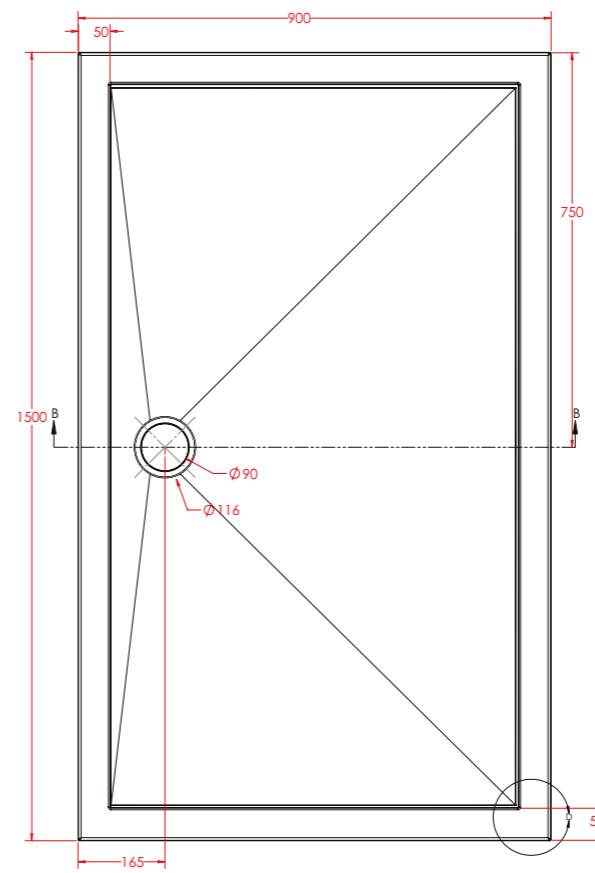
1400x760 ELEMENTARY



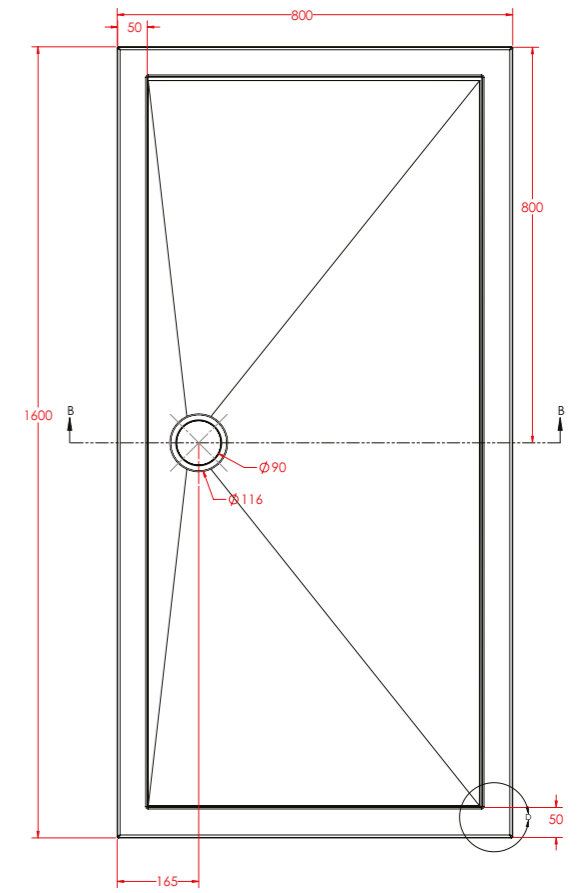
1400x800 ELEMENTARY



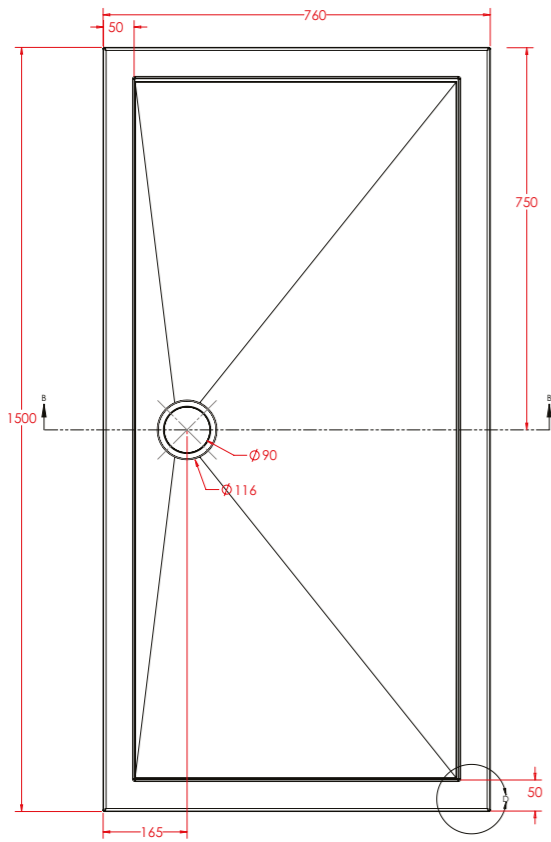
1400x900 ELEMENTARY



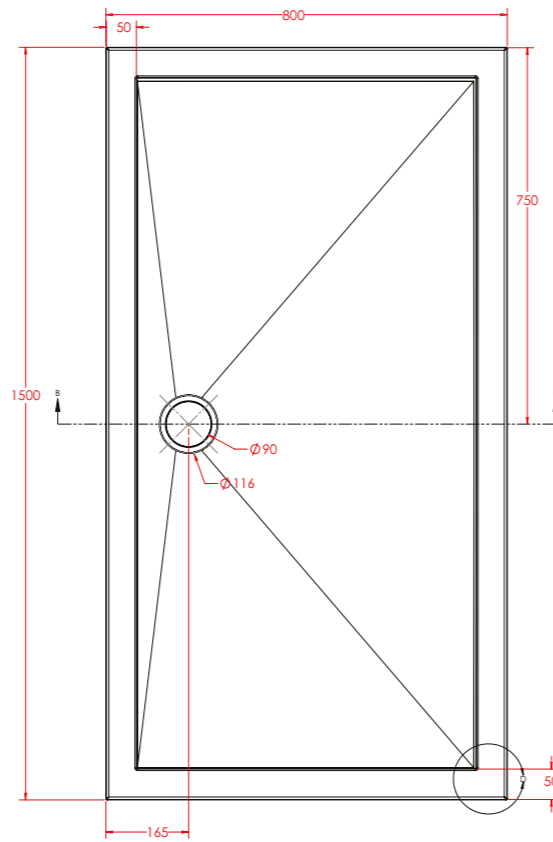
1500x900 ELEMENTARY



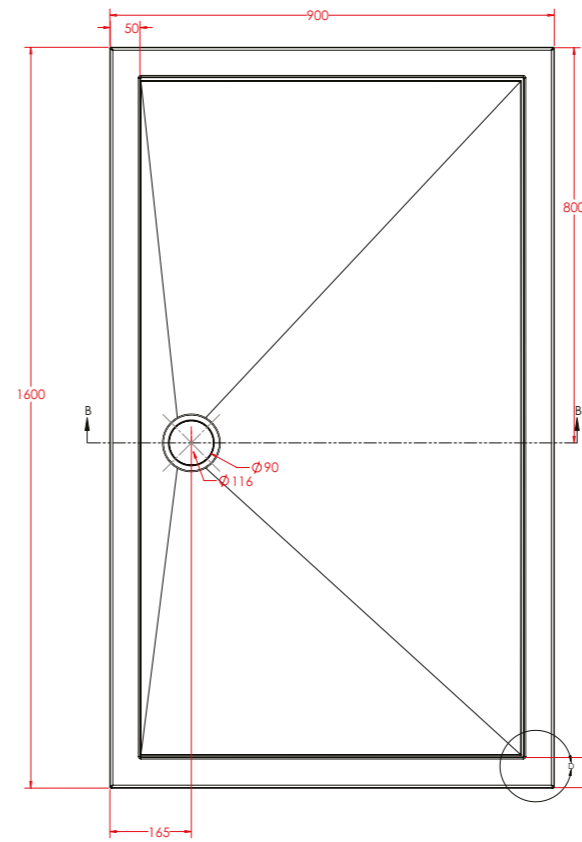
1600x800 ELEMENTARY



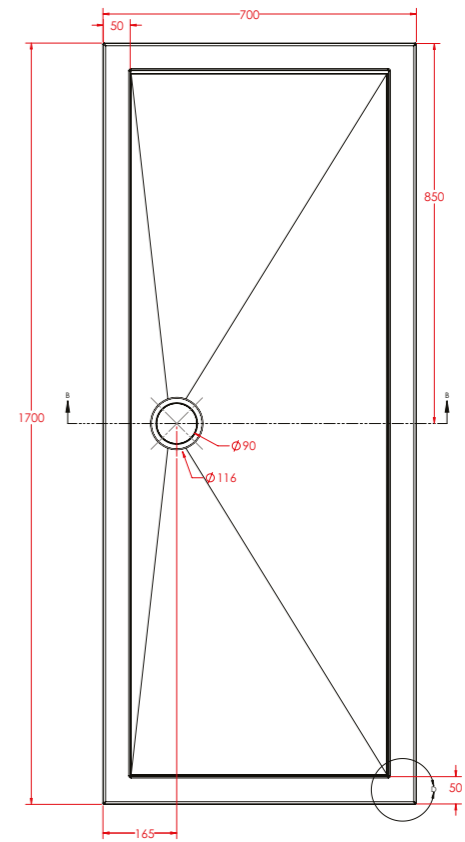
1500x760 ELEMENTARY



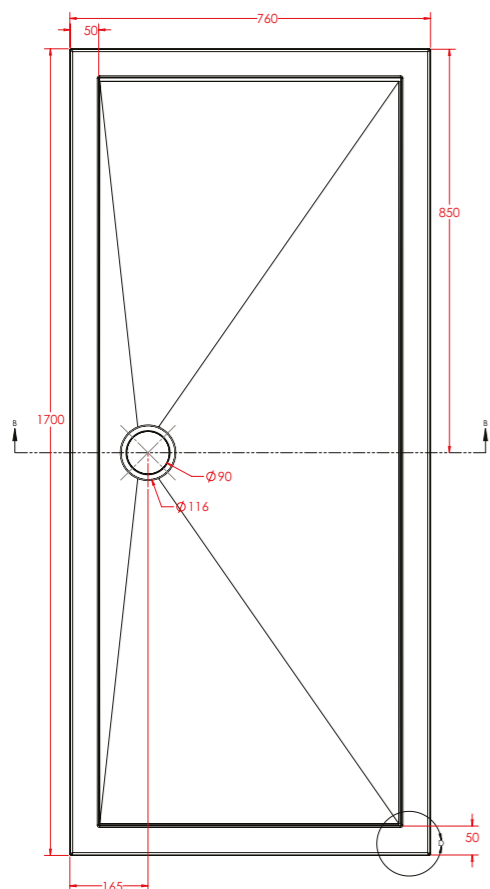
1500x800 ELEMENTARY



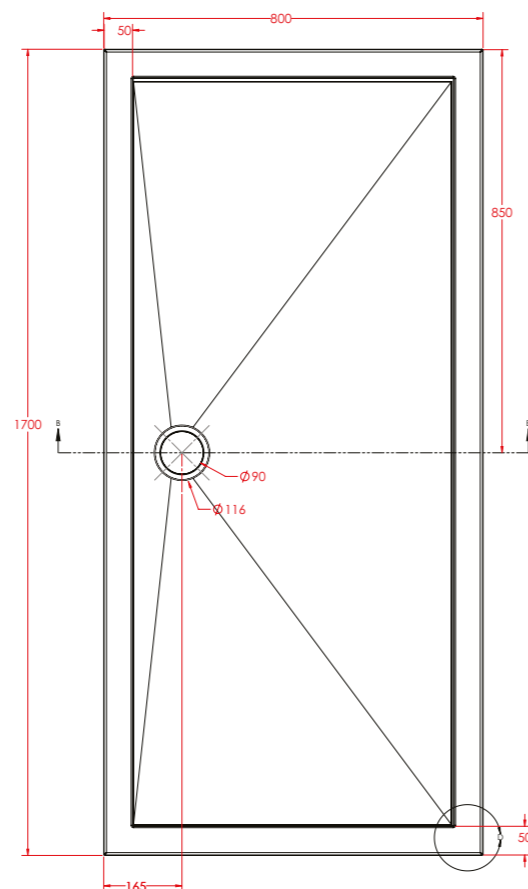
1600x900 ELEMENTARY



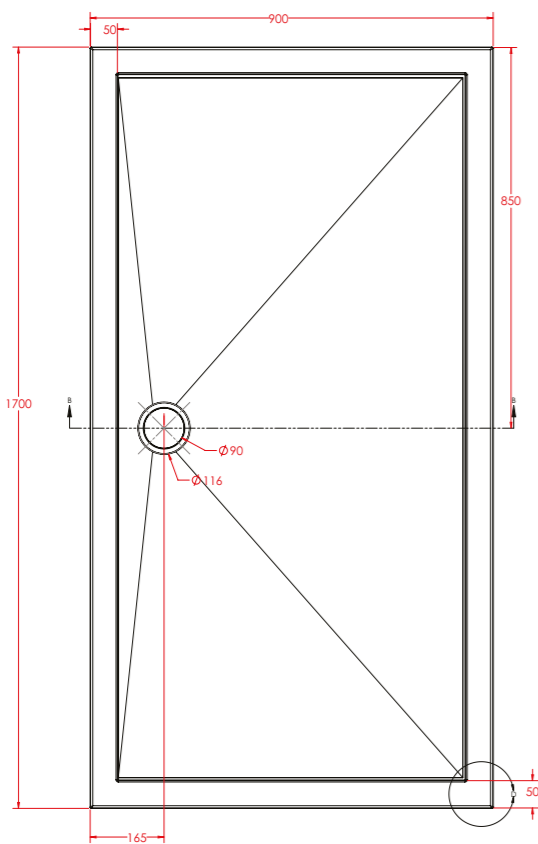
1700x700 ELEMENTARY



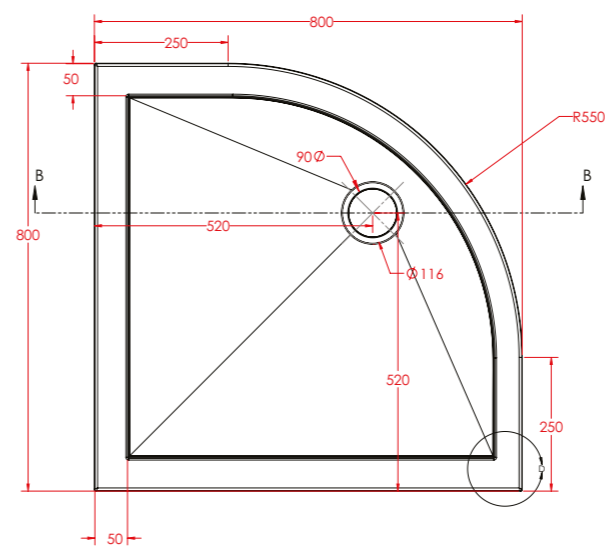
1700x760 ELEMENTARY



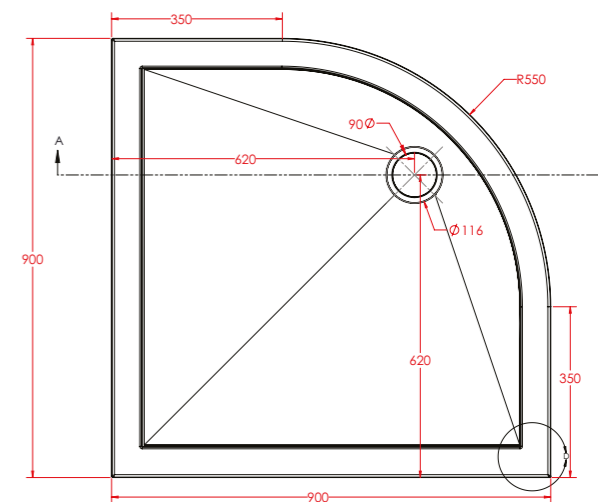
1700x800 ELEMENTARY



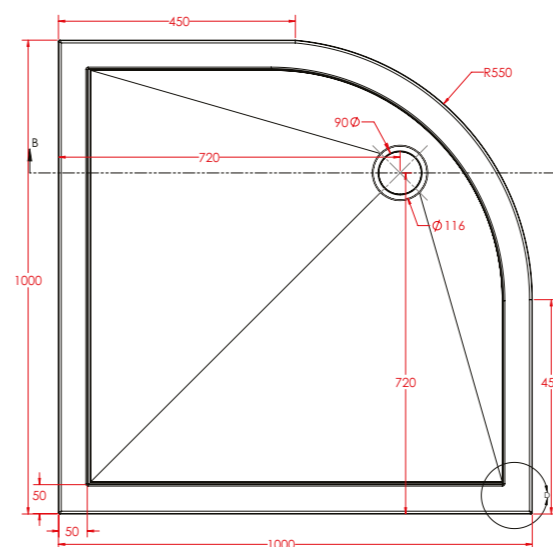
1700x900 ELEMENTARY



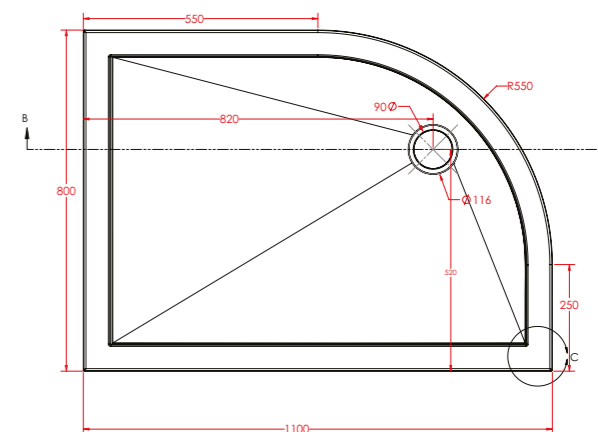
800x800 ELEMENTARY



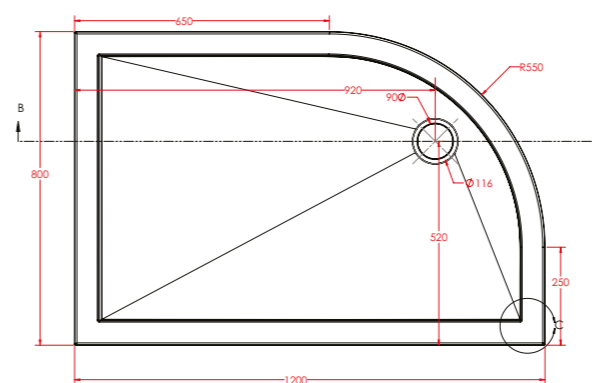
900x900 ELEMENTARY



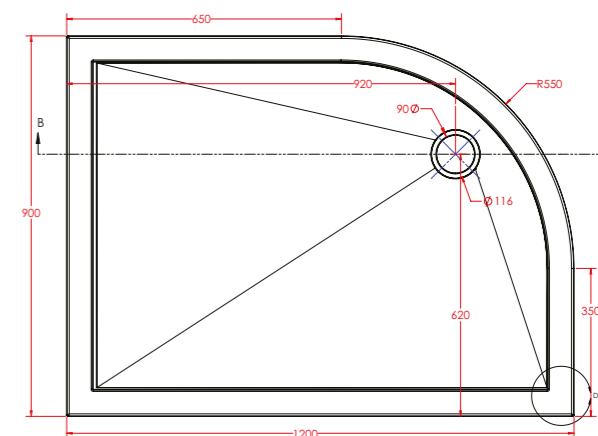
1000x1000 ELEMENTARY



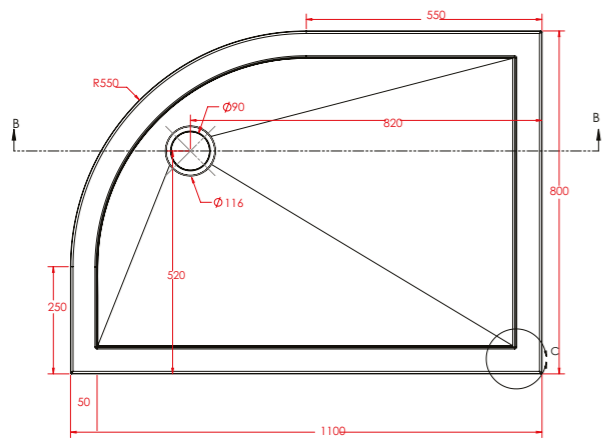
1100x800 LH ELEMENTARY



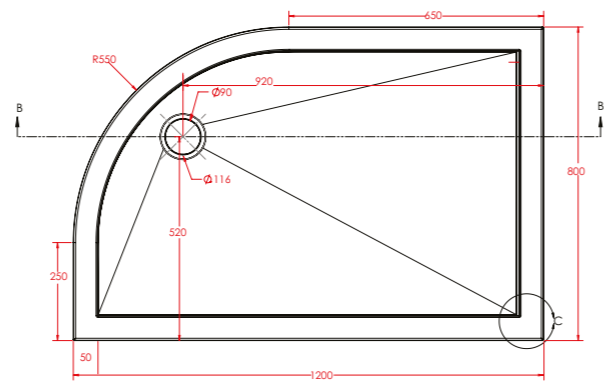
1200x800 LH ELEMENTARY



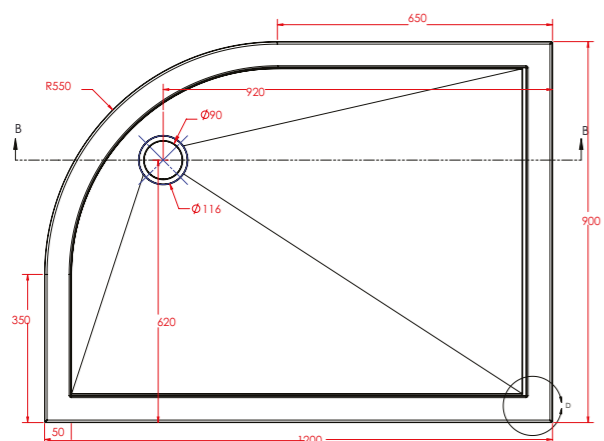
1200x900 LH ELEMENTARY



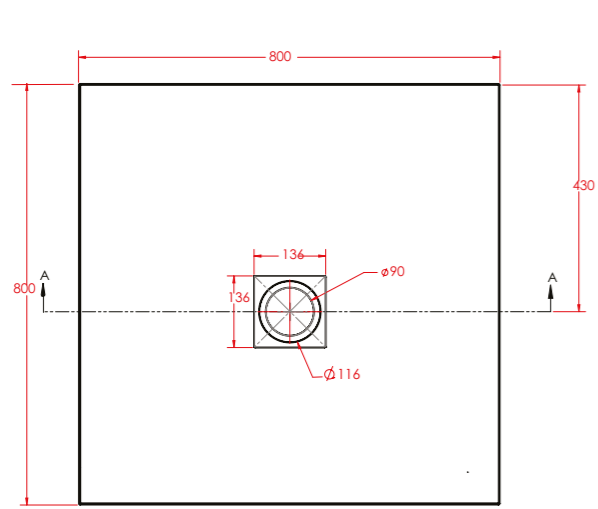
1100x800 RH ELEMENTARY



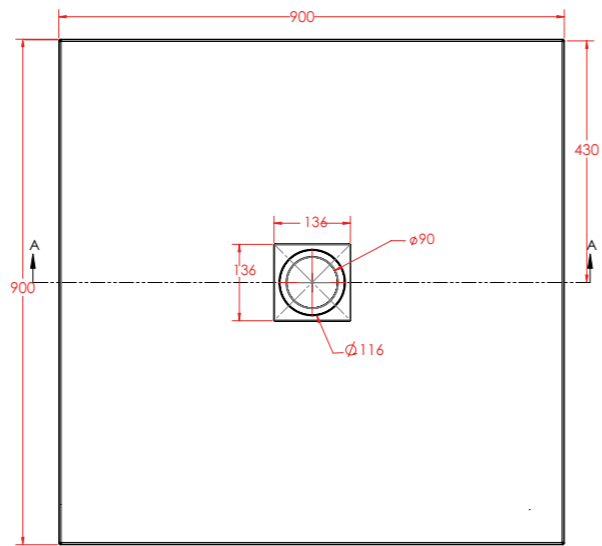
1200x800 RH ELEMENTARY



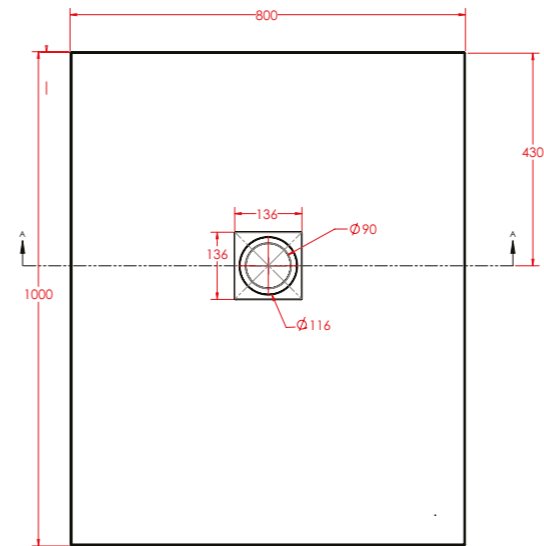
1200x900 RH ELEMENTARY



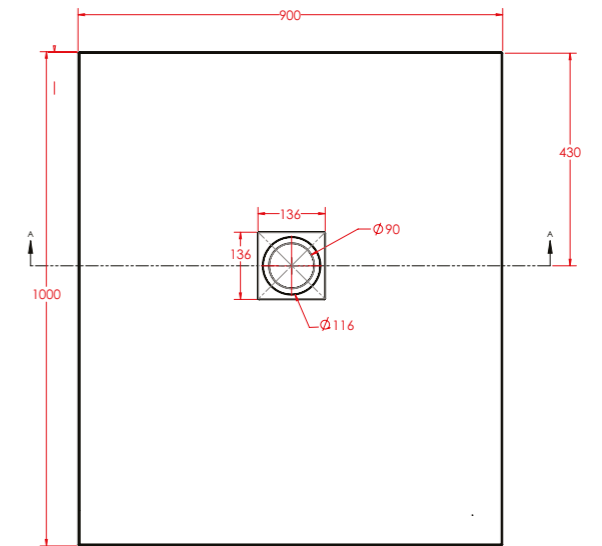
800x800 SLATE



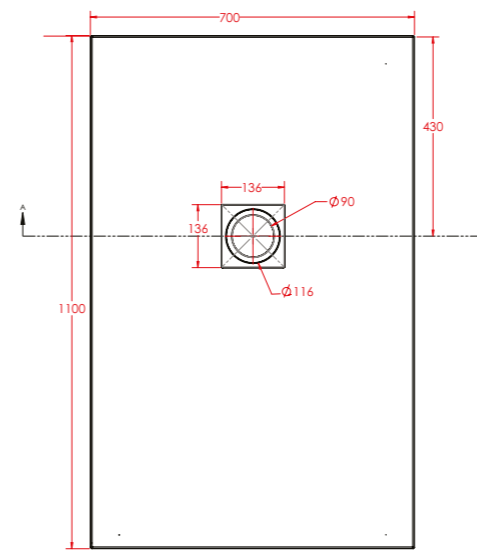
900x900 SLATE



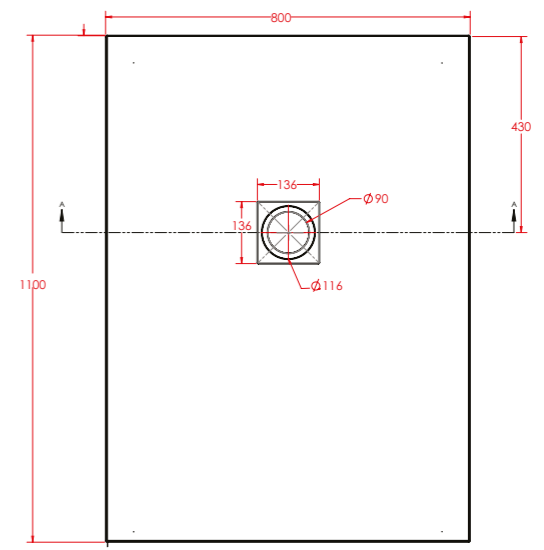
1000x800 SLATE



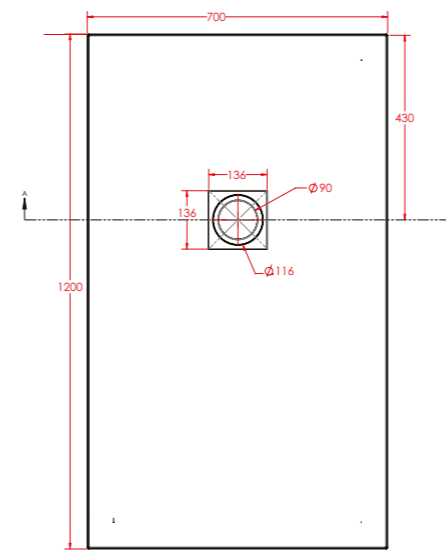
1000x900 SLATE



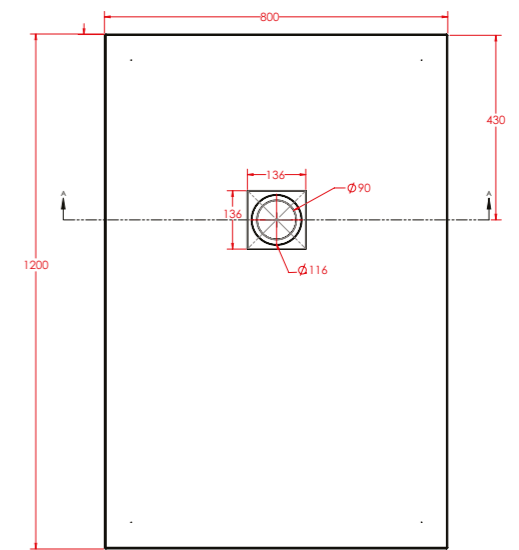
1100x700 SLATE



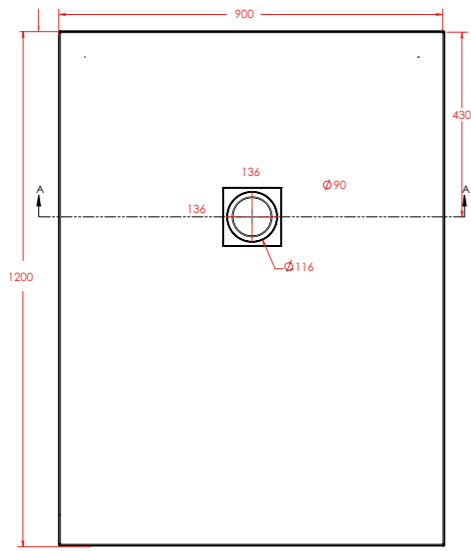
1100x800 SLATE



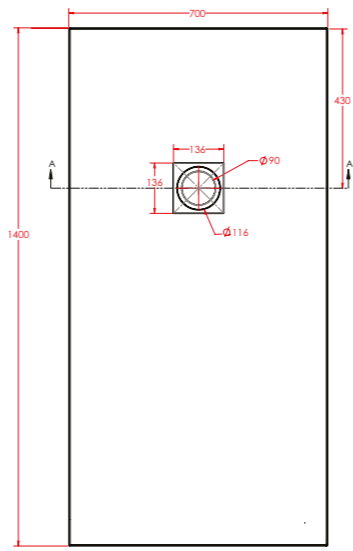
1200x700 SLATE



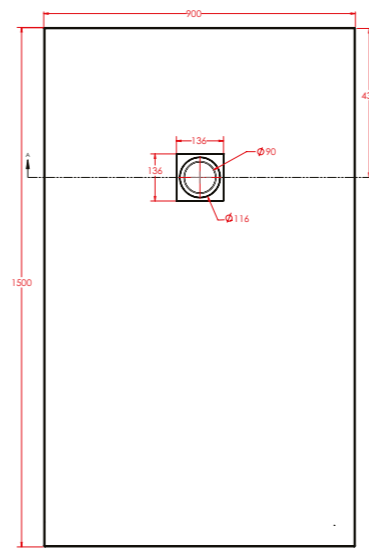
1200x800 SLATE



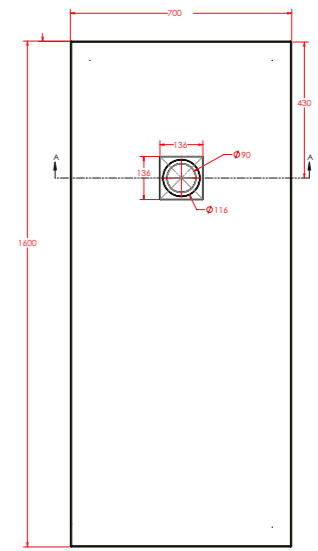
1200x900 SLATE



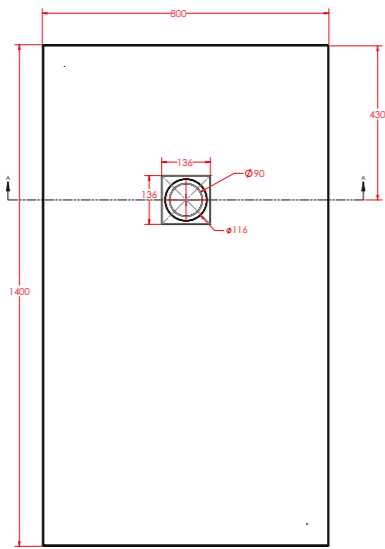
1400x700 SLATE



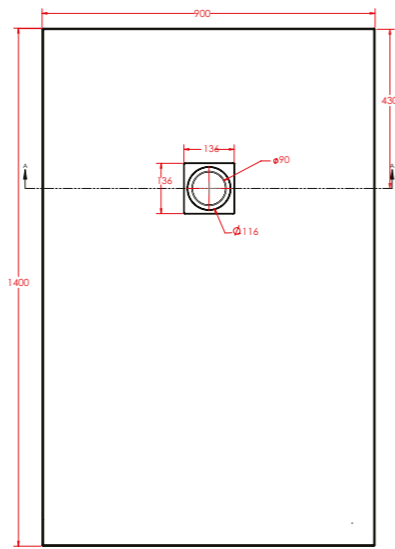
1500x900 SLATE



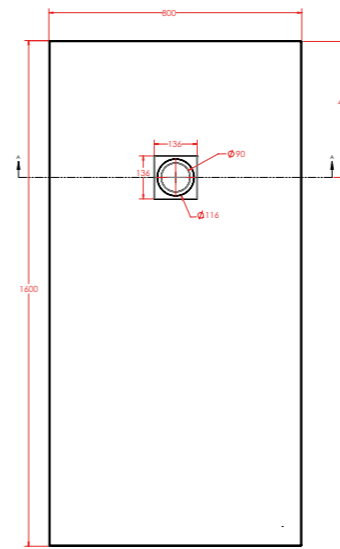
1600x700 SLATE



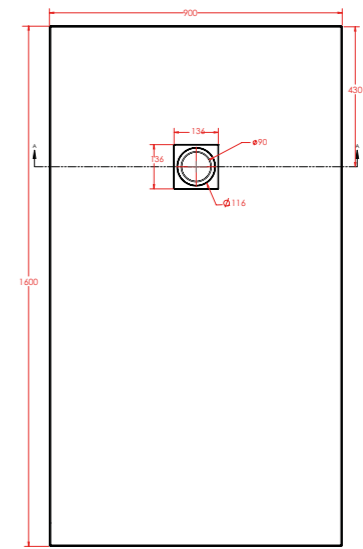
1400x800 SLATE



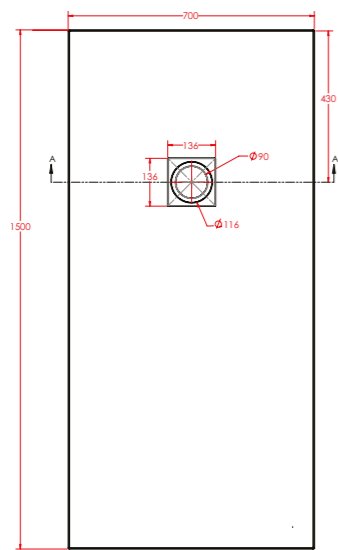
1400x900 SLATE



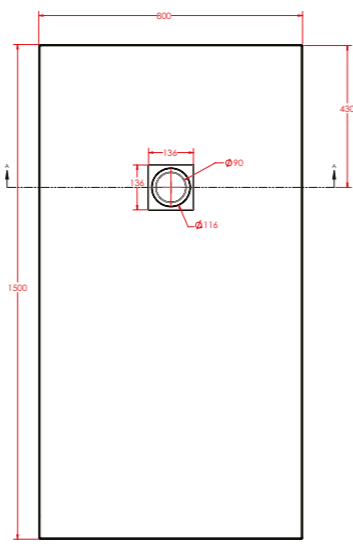
1600x800 SLATE



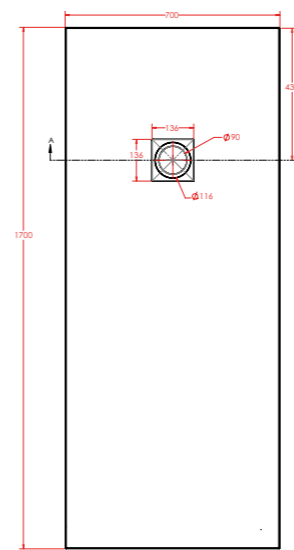
1600x900 SLATE



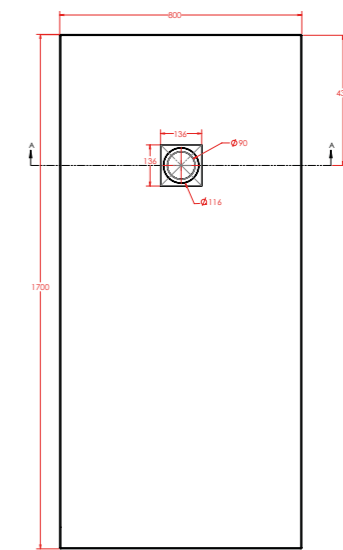
1500x700 SLATE



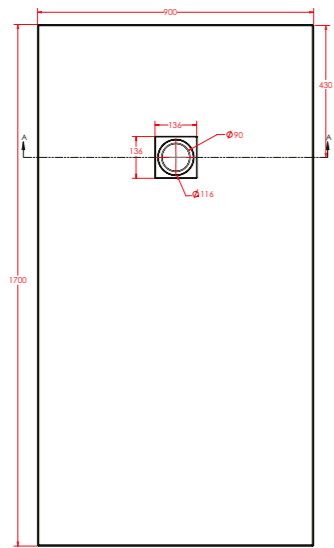
1500x800 SLATE



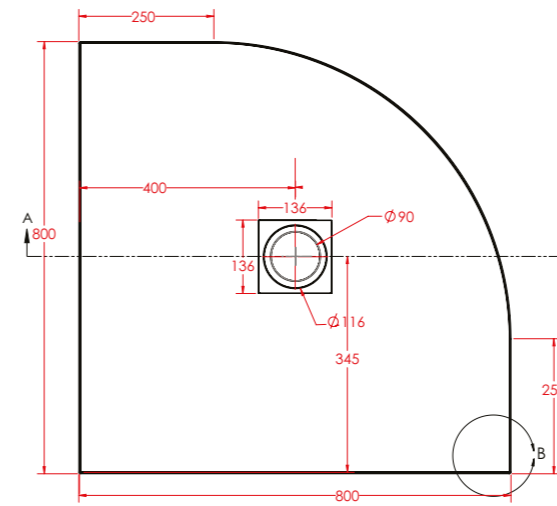
1700x700 SLATE



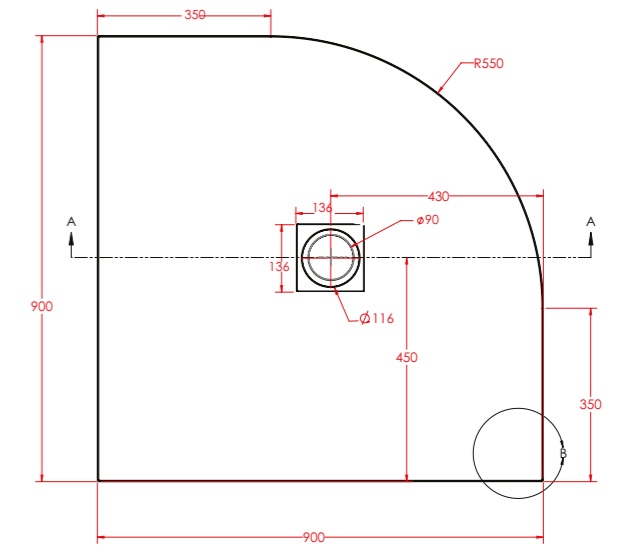
1700x800 SLATE



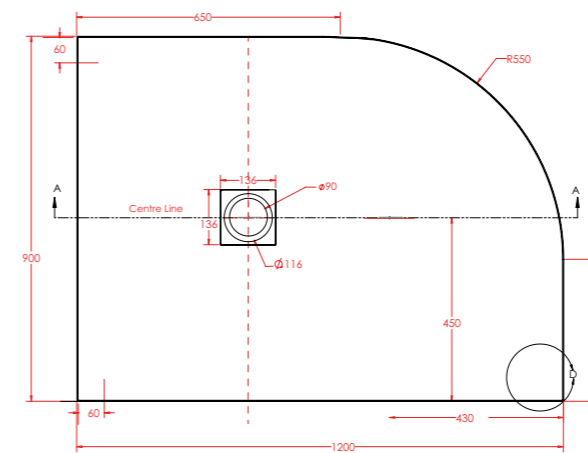
1700x900 SLATE



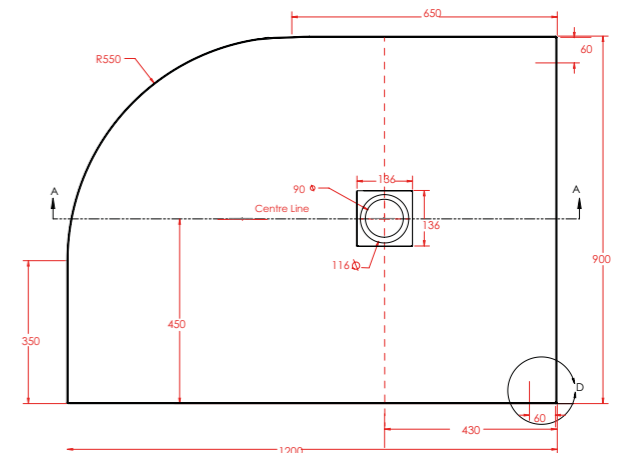
800x800 SLATE



900x900 SLATE



1200x900 LH SLATE



1200x900 RH SLATE



CSR Statement

At Trojan, our corporate social responsibility focuses on two fundamental pillars: our people and our planet. Our workforce is our greatest asset, and we demonstrate this through continuous investment in their development, safety, and wellbeing. We have created a positive and ethical working environment through comprehensive training programmes, career development opportunities, and robust internal processes.

Our highly skilled team benefits from ongoing support across all aspects of the business, ensuring they can thrive in a secure and comfortable workplace.

Environmental stewardship is central to our operations. We actively pursue initiatives to reduce our carbon footprint and minimise our environmental impact through innovative manufacturing processes and responsible resource management.

Our on-site recycling facilities and detailed environmental reporting enable our customers to accurately measure the carbon impact of our products, reflecting our commitment to transparency and sustainability.

As proud members of the British Safety Council (BSC), we align ourselves with an organisation that has been instrumental in shaping UK safety legislation since 1957. The BSC's mission to protect workers from accidents, hazards, and unsafe conditions perfectly mirrors our own values. Their influence in establishing landmark safety legislation in the UK demonstrates the importance of their work.

The BSC's international presence, spanning more than 60 countries, reinforces the universal truth that a healthy and safe work environment not only protects employees, but also drives business success. This philosophy has always been at the heart of Trojan's operations, evidenced by our consistent investment in our workforce and their safety.

Our comprehensive approach to corporate social responsibility ensures we maintain a harmonious balance between business growth and our responsibilities to both our employees and the environment, creating sustainable value for all our stakeholders.





TRAYMATE

BY
TROJAN

Luxury Showering

01484 648181 marketing@trojan-baths.co.uk    

Trojan Plastics Ltd, Ramsden Mills, Britannia Road, Huddersfield, West Yorkshire, HD3 4QG

TROJAN-BATHS.CO.UK